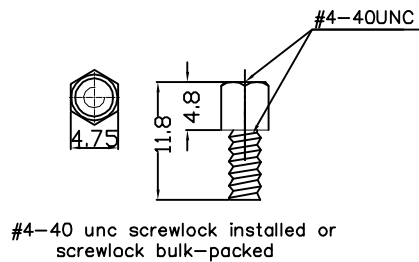
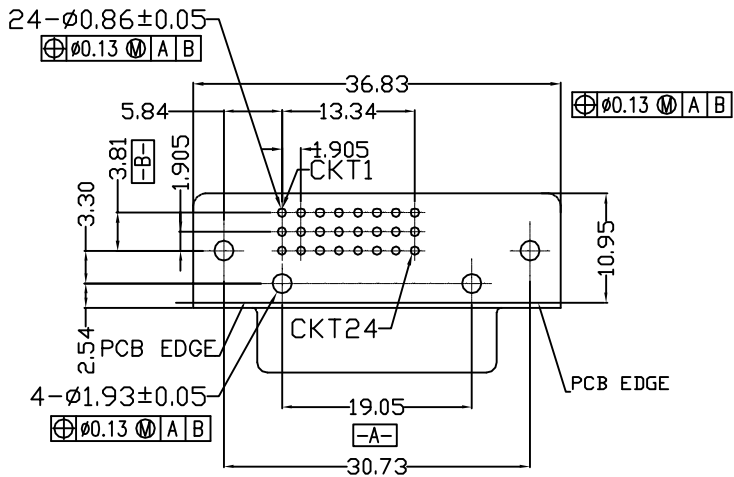
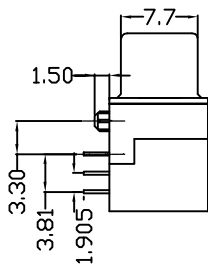
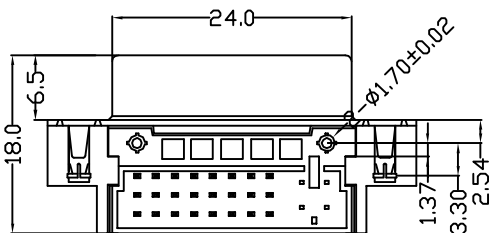
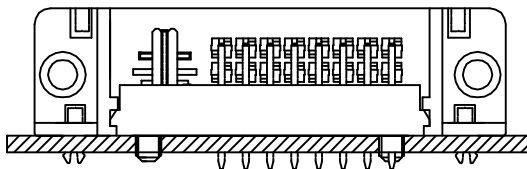
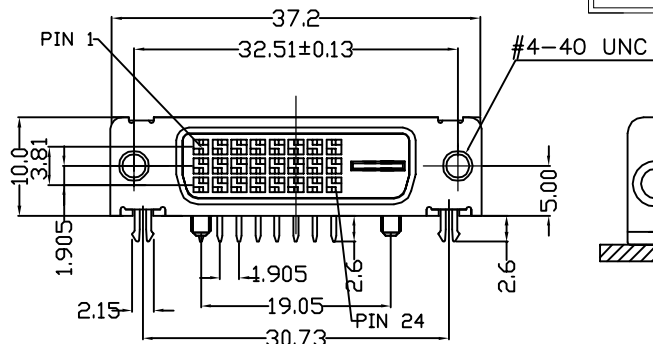


THE INFORMATION CONTAINED IN THIS DOCUMENT IS PROPRIETARY TO Y-S ELECTRONIC. ANY REPRODUCTION IN PART OR WHOLE WITHOUT PRIOR WRITTEN APPROVAL OR AUTHORIZATION OF Y-S ELECTRONIC IS STRICTLY PROHIBITED.

RoHS COMPLIANT

REVISIONS				
REV	ECN NO.	DESCRIPTION	APPROVED BY	DATE
A		△	MICHAEL HUANG	2009-05-22



#4-40 unc screwlock installed or screwlock bulk-packed

- MATERIALS: GLASS FIBRE FILLED THERMOPLASTIC, UL94V-0.  
DIGITAL CONTACT- PHOSPHOR BRONZE,SELECT GOLD.  
ANALOG CONTACT- PHOSPHOR BRONZE,SELECT GOLD.  
GROUND BLADE- BRASS, SELECT GOLD.
- PLATING: SHELL:STEEL,NICKEL PLATING ALL OVER  
SCREW:STEEL,WITH NICKEL PLATING  
BOARD LOCK:BRASS,WITH TIN PLATING
- ELECTRICAL: CURRENT RATING: 15 AMP.  
INSULATION RESISTANCE:1000 MEGOHMS MIN.  
DIELECTRIC WITHSTANDING VOLTAGE:500 VDC  
CONTACT RESISTANCE:20mΩMAX.(INITIAL)
- ENVIRONMENTAL: TEMPERATURE RANGE : -55 °C to + 105°C.

Ordering Information


204a -  $\frac{XXX}{a} \frac{X}{b} \frac{X}{c} \frac{X}{d} \frac{X}{e} \frac{X}{f} \frac{X}{g} \frac{X}{h}$

- |                                   |   |
|-----------------------------------|---|
| a. No. Of Pins                    | f. Insulator Color  |
| 24i: 24 positions + 1             | 1: White  |
| 245: 24 positions + 5             | 2: Black  |
| b. Contact Type                   | 3: White(PA46)(standard)                                    |
| 2: Female                         | 4: Black(PA46)  |
| c. Contact Direction              | g. Option Of Clinch Nut                                     |
| 2: Right angle type               | 0: Ø3.05mm clear hole                                       |
| d. Contact Plating                | 1: Riveted nut  |
| 0: Gold flash selective gold      | 2: Riveted boardlock  |
| 3: 15u' selective gold on contact | h. Flange Mounting Option                                   |
| 4: 30u' selective gold on contact | 0: Ø3.05mm clear hole                                       |
| e. Shell Plating                  | 1: #4-40 threaded hole                                      |
| 1: Nickel(standard)               | 2: #4-40 threaded hole with #4-40 unc screwlock installed   |
| 2: Tin                            | 3: #4-40 threaded hole with #4-40 unc screwlock bulk-packed |
| 3: Gold flash                     |   |

DO NOT SCALE DRAWING

RECOMMENDED PCB LAYOUT

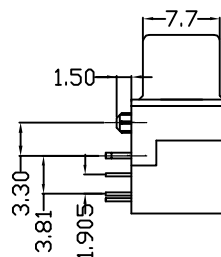
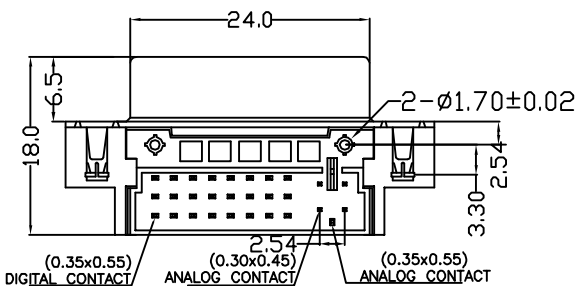
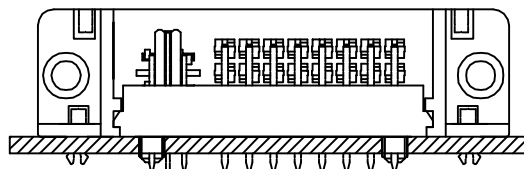
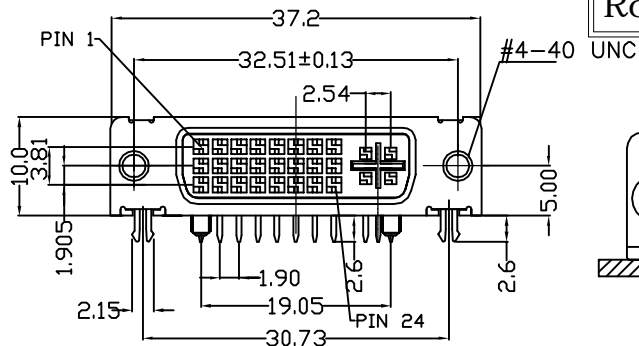
DVI CONNECTOR 24+1 SOCKET RIGHT ANGLE TYPE

DIMENSIONS: □ mm [INCH] □ INCH [mm] ⊗ mm ONLY		CAD GENERATED DRAWING, DO NOT MANUALLY UPDATE		 <b>Y-S ELECTRONIC CO., LTD.</b> No. 101, Sec. 1, Long-An Street, Lu-Chu, Taoyuan, Taiwan, R.O.C. TEL: +886-3-3609819 FAX: +886-3-3609817
UNLESS OTHERWISE SPECIFIED, GENERAL TOLERANCE: DECIMALS X: ±0.38 [0.015] .X: ±0.25 [0.010] .XX: ±0.13 [0.005]		CHECKED BY AND DATE JUSTIN XING 04-12-08		
ANGLES X°: ±3° .X°: ±1.0°		APPROVED BY AND DATE MICHAEL HUANG 04-12-08		TITLE 204a SERIES DVI CONNECTOR FEMALE
MATERIAL		THIRD ANGLE PROJECTION		DRAWING NO. 204a-2412XXXXXX
FINISH		SCALE: 2 : 1		REV A
		SIZE: A3		FILE NO.
				SHEET 1 OF 2

THE INFORMATION CONTAINED IN THIS DOCUMENT IS PROPRIETARY TO Y-S ELECTRONIC, ANY REPRODUCTION IN PART OR WHOLE WITHOUT PRIOR WRITTEN APPROVAL OR AUTHORIZATION OF Y-S ELECTRONIC IS STRICTLY PROHIBITED.

RoHS COMPLIANT

REVISIONS				
REV	ECN NO.	DESCRIPTION	APPROVED BY	DATE
A		△	MICHAEL HUANG	2009-05-22

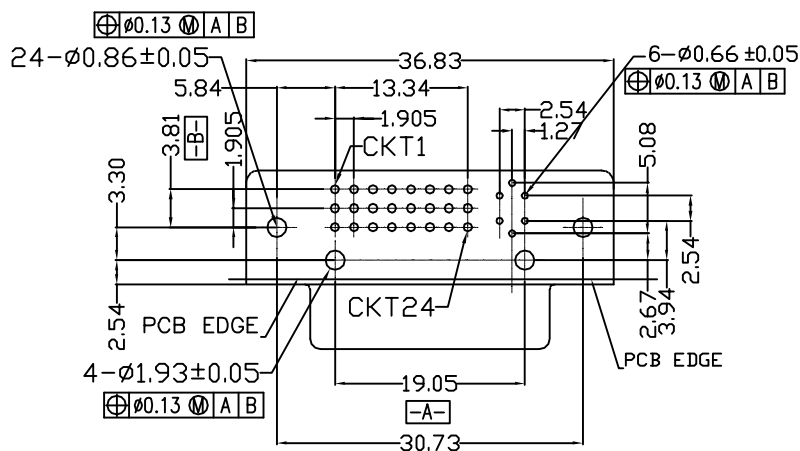


- MATERIALS:** GLASS FIBRE FILLED THERMOPLASTIC, UL94V-0.  
DIGITAL CONTACT- PHOSPHOR BRONZE, SELECT GOLD.  
ANALOG CONTACT- PHOSPHOR BRONZE, SELECT GOLD.  
GROUND BLADE- BRASS, SELECT GOLD.
- PLATING:** SHELL-STEEL, NICKEL PLATING ALL OVER  
SCREW-STEEL, WITH NICKEL PLATING  
BOARD LOCK- BRASS, WITH TIN PLATING
- ELECTRICAL:** CURRENT RATING: 15 AMP.  
INSULATION RESISTANCE: 1000 MEGOHMS MIN.  
DIELECTRIC WITHSTANDING VOLTAGE: 500 VDC  
CONTACT RESISTANCE: 20mΩ MAX. (INITIAL)
- ENVIRONMENTAL:** TEMPERATURE RANGE : -55 °C to + 105°C.

Ordering Information

204a -  $\frac{XXX}{a} \frac{X}{b} \frac{X}{c} \frac{X}{d} \frac{X}{e} \frac{X}{f} \frac{X}{g} \frac{X}{h}$

- |  |  |
|--|--|
| a. No. Of Pins<br>24i: 24 positions + 1<br>245: 24 positions + 5   | f. Insulator Color<br>1: White<br>2: Black<br>3: White(PA46)(standard)<br>4: Black(PA46)   |
| b. Contact Type<br>2: Female   | g. Option Of Clinch Nut<br>0: ∅3.05mm clear hole<br>1: Riveted nut<br>2: Riveted boardlock   |
| c. Contact Direction<br>2: Right angle type  | h. Flange Mounting Option<br>0: ∅3.05mm clear hole<br>1: #4-40 threaded hole<br>2: #4-40 threaded hole with #4-40 unc screwlock installed<br>3: #4-40 threaded hole with #4-40 unc screwlock bulk-packed |
| d. Contact Plating<br>0: Gold flash selective gold<br>3: 15u' selective gold on contact<br>4: 30u' selective gold on contact |  |
| e. Shell Plating<br>1: Nickel(standard)<br>2: Tin<br>3: Gold flash   |  |




#4-40 unc screwlock installed or screwlock bulk-packed

DO NOT SCALE DRAWING

RECOMMENDED PCB LAYOUT

DVI CONNECTOR 24+5 SOCKET RIGHT ANGLE TYPE

DIMENSIONS: <input type="checkbox"/> MM [INCH] <input type="checkbox"/> INCH [mm] <input checked="" type="checkbox"/> MM ONLY		CAD GENERATED DRAWING, DO NOT MANUALLY UPDATE DRAWN BY AND DATE JUSTIN XING 04-12-08		 <b>Y-S ELECTRONIC CO., LTD.</b> No. 101, Sec. 1, Long-An Street, Lu-Chu, Taoyuan, Taiwan, R.O.C. TEL: +886-3-3609819 FAX: +886-3-3609817
UNLESS OTHERWISE SPECIFIED, GENERAL TOLERANCE: DECIMALS X: ±0.38 [0.015]   ANGLES X: ±0.25 [0.010]   X: ±3° .XX ±0.13 [0.005]   .X: ±1.0°		CHECKED BY AND DATE JUSTIN XING 04-12-08 APPROVED BY AND DATE MICHAEL HUANG 04-12-08 THIRD ANGLE PROJECTION		
MATERIAL FINISH		SCALE: 1.5 : 1   SIZE: A3		DRAWING NO. 204a-2452XXXXXX   REV A
		FILE NO.:		SHEET 2 OF 2