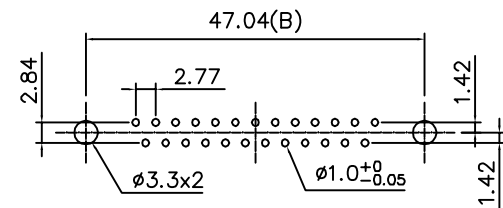
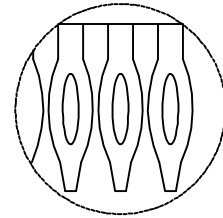
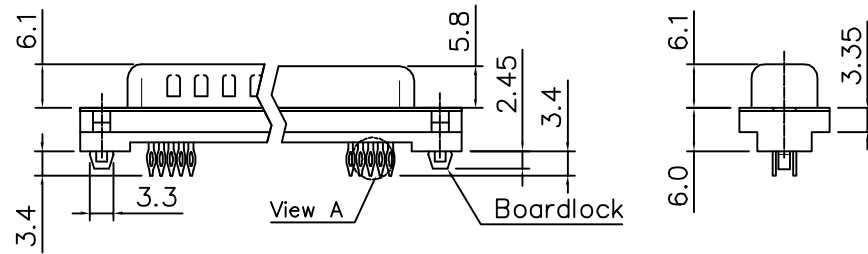
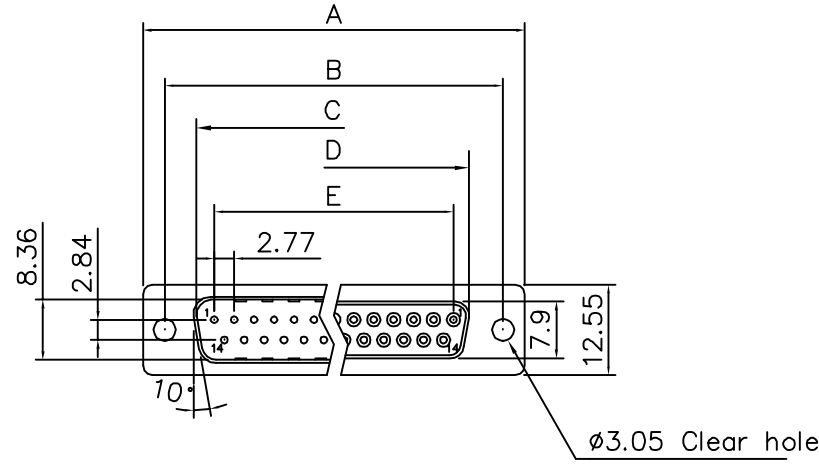


THE INFORMATION CONTAINED IN THIS DOCUMENT IS PROPRIETARY TO Y-S ELECTRONIC, ANY REPRODUCTION IN PART OR WHOLE WITHOUT PRIOR WRITTEN APPROVAL OR AUTHORIZATION OF Y-S ELECTRONIC IS STRICTLY PROHIBITED.

RoHS COMPLIANT

REVISIONS				
REV	ECN NO.	DESCRIPTION	APPROVED BY	DATE



Recommended PCB Layout

Product Specification

Material

Insulator : See Ordering Information colour
 Contact :Phosphor Bronze
 Shell : Steel, 100u" Tin Over 50u" min Copper
 Clinch Nut: Brass, 100u" min Nickel Plated.
 Boardlock :Brass, 100u" min Tin Plated.
 Screwlock :Brass, 100u" min Nickel Plated.


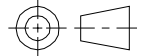
Electrical

Contact Resistance :20 milliohms
 Max at 1 AMP DC.
 Insulation Resistance :1000
 megohms at 500 VDC
 Dielectric Withstanding Voltage :
 1000 VAC/rms 60Hz for 1 minute
 Current Rating :3 AMP
 Volatge Rating :250 VAC/rms 60Hz

DO NOT SCALE DRAWING

Dimensions

Positions	A	B	C	D	E
9	30.81	24.99	16.92	16.33	11.08
15	39.20	33.30	25.25	24.70	19.39
25	53.05	47.04	38.96	38.40	33.24
37	69.40	63.50	55.42	54.80	49.86

DIMENSIONS: <input type="checkbox"/> mm [INCH] <input type="checkbox"/> INCH [mm] <input checked="" type="checkbox"/> mm ONLY	CAD GENERATED DRAWING, DO NOT MANUALLY UPDATE	 Y-S ELECTRONIC CO., LTD. No. 101, Sec. 1, Long-An Street, Lu-Chu, Taoyuan, Taiwan, R.D.C. TEL: +886-3-3609819 FAX: +886-3-3609817	
	UNLESS OTHERWISE SPECIFIED, GENERAL TOLERANCE: DECIMALS ANGLES X: ±0.38 [0.015] X° ±3° .X ±0.25 [0.010] .X° ±1.0° .XX ±0.13 [0.005]		DRAWN BY AND DATE JUSTIN XING 07-03-06
MATERIAL	CHECKED BY AND DATE JUSTIN XING 07-03-06	APPROVED BY AND DATE KING CHIU 07-03-06	DRAWING NO. 193-XXXXXXXX
FINISH	THIRD ANGLE PROJECTION 	SCALE: 1 : 1	SIZE: A3
FILE NO.:		SHEET 1 OF 3	

1 2 3 4 5 6 7 8

THE INFORMATION CONTAINED IN THIS DOCUMENT IS PROPRIETARY TO Y-S ELECTRONIC, ANY REPRODUCTION IN PART OR WHOLE WITHOUT PRIOR WRITTEN APPROVAL OR AUTHORIZATION OF Y-S ELECTRONIC IS STRICTLY PROHIBITED.

REVISIONS				
REV	ECN NO.	DESCRIPTION	APPROVED BY	DATE

RoHS COMPLIANT

Ordering Information

193 - $\frac{XX}{a} \frac{X}{b} \frac{X}{c} \frac{X}{d} \frac{X}{e} \frac{X}{f} \frac{X}{g}$

a. No. Of Contacts:

- 09: 09 positions
- 15: 15 positions
- 25: 25 positions
- 37: 37 positions

b. Contact Type

- 1: Male
- 2: Female

c. Contact Plating

- 0: Gold flash selective gold
- 1:15u" selective gold on contact
- 2:30u" selective gold on contact
- 3:3u" selective gold on contact

d. Shell plating :

- 0.Cr⁺³ yellow chrome
- 1.Nickel(standard)
- 2.Tin
- 3.Cr⁺⁶ yellow chrome
- 4.Gold flash
- 5.Special tin

e. Insulator Color

- 1:Black
- 2:Black(high temperature)



f. Rivet Options :

- 1.Nut rivet:4.5*2.9*6.0mm
- 2.Standoff+2 prong boardlock
- 3.Front rivet round nut, 6.0mm
- 4.Copper alloy Pole rivet
- 5.Front hex rivet,6.0mm

g. Flange Mounting Option :

- 0: ϕ 3.05mm clear hole
- 1:#4-40 threaded hole
- 2:#4-40 threaded hole with #4-40 unc(6.4*10.5mm)screwlock installed
- 3:#4-40 threaded hole with #4-40 unc(6.4*10.5mm)screwlock buld-packed
- 4:M3 threaded hole
- 5:#4-40 threaded hole with M3(6.4*10.5mm)screwlock installed
- 6:#4-40 threaded hole with M3(6.4*10.5mm)screwlock buld-packed
- 7:M3 threaded hole with M3(4.5*18.75mm)screwlock installed
- A:M3 threaded hole with #4-40 unc(6.0*10.1mm)screwlock installed
- C:#4-40 threaded hole with #4-40 unc(6.0*10.1mm)screwlock installed
- D:#4-40 threaded hole with M3(6.0*10.1mm)screwlock installed

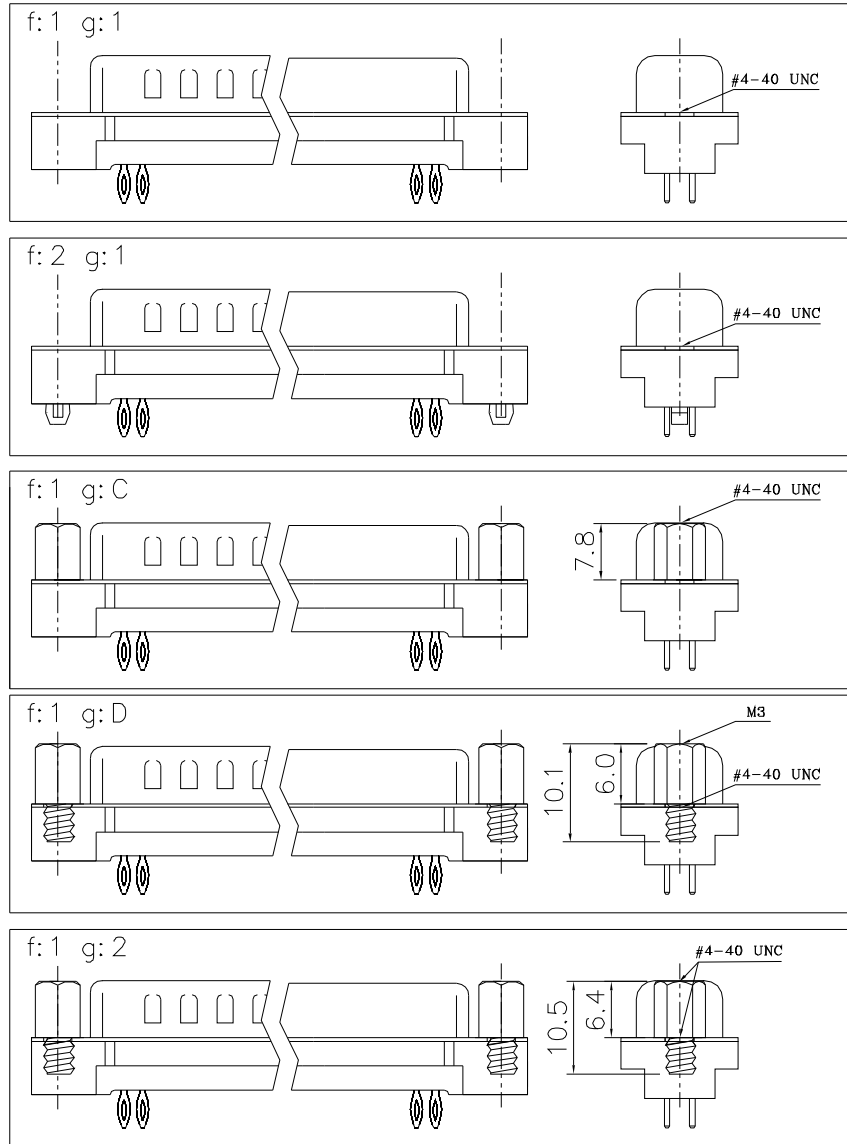
DO NOT SCALE DRAWING

DIMENSIONS: <input type="checkbox"/> mm [INCH] <input type="checkbox"/> INCH [mm] <input checked="" type="checkbox"/> mm ONLY		CAD GENERATED DRAWING, DO NOT MANUALLY UPDATE DRAWN BY AND DATE JUSTIN XING 07-20-06		 Y-S ELECTRONIC CO., LTD. No. 101, Sec. 1, Long-An Street, Lu-Chu, Taoyuan, Taiwan, R.O.C. TEL: +886-3-3609819 FAX: +886-3-3609817
UNLESS OTHERWISE SPECIFIED, GENERAL TOLERANCE: DECIMALS ANGLES .X ±0.38 [0.015] X° ±3° .XX ±0.25 [0.010] .X° ±1.0° .XX ±0.13 [0.005]		CHECKED BY AND DATE JUSTIN XING 07-20-06 APPROVED BY AND DATE KING CHIU 07-20-06 THIRD ANGLE PROJECTION		
MATERIAL				TITLE 193 SERIES D-SUB STRAIGHT PRESS-FIT TYPE
FINISH		SCALE: 1 : 1 SIZE: A3		
DRAWING NO. 193-XXXXXXXX			REV D	FILE NO.: SHEET 2 OF 3

THE INFORMATION CONTAINED IN THIS DOCUMENT IS PROPRIETARY TO Y-S ELECTRONIC, ANY REPRODUCTION IN PART OR WHOLE WITHOUT PRIOR WRITTEN APPROVAL OR AUTHORIZATION OF Y-S ELECTRONIC IS STRICTLY PROHIBITED.


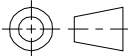
RoHS COMPLIANT

REVISIONS				
REV	ECN NO.	DESCRIPTION	APPROVED BY	DATE



CONSULT SALES OR
FACTORY FOR OTHER
MOUNTING STYLE OPTIONS

DO NOT SCALE DRAWING

DIMENSIONS: <input type="checkbox"/> mm [INCH] <input type="checkbox"/> INCH [mm] <input checked="" type="checkbox"/> mm ONLY		CAD GENERATED DRAWING, DO NOT MANUALLY UPDATE		 Y-S ELECTRONIC CO., LTD. No. 101, Sec. 1, Long-An Street, Lu-Chu, Taoyuan, Taiwan, R.O.C. TEL: +886-3-3609819 FAX: +886-3-3609817	
UNLESS OTHERWISE SPECIFIED, GENERAL TOLERANCE: DECIMALS ANGLES X. ±0.38 [0.015] X° ±3° .X ±0.25 [0.010] .X° ±1.0° .XX ±0.13 [0.005]		DRAWN BY AND DATE JUSTIN XING 07-03-06		TITLE 193 SERIES D-SUB STRAIGHT PRESS-FIT TYPE	
MATERIAL		CHECKED BY AND DATE JUSTIN XING 07-03-06		DRAWING NO. 193-XXXXXXXX REV A	
FINISH		APPROVED BY AND DATE KING CHIU 07-03-06		FILE NO.: SHEET 3 OF 3	
THIRD ANGLE PROJECTION				SCALE: 1 : 1 SIZE: A3	