

THE INFORMATION CONTAINED IN THIS DOCUMENT IS PROPRIETARY TO Y-S ELECTRONIC, ANY REPRODUCTION IN PART OR WHOLE WITHOUT PRIOR WRITTEN APPROVAL OR AUTHORIZATION OF Y-S ELECTRONIC IS STRICTLY PROHIBITED.

RoHS COMPLIANT

REVISIONS				
REV	ECN NO.	DESCRIPTION	APPROVED BY	DATE

Product Specification

Material

Housing: Thermoplastic, Glass Fiber UL94V-0 rated.
 Contact : Phosphor Bronze
 Shield: Brass
 Grounding Strip: Stainless Steel
 under-plated 50u" min. Nickel

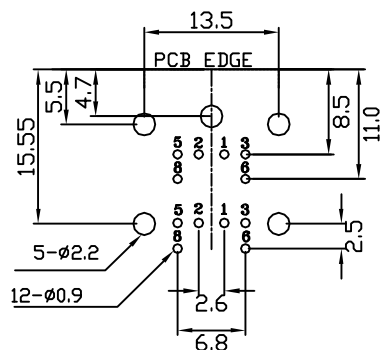
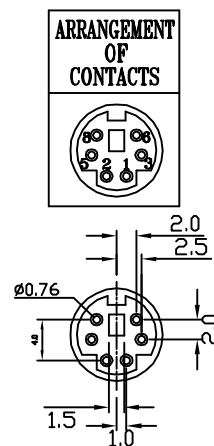
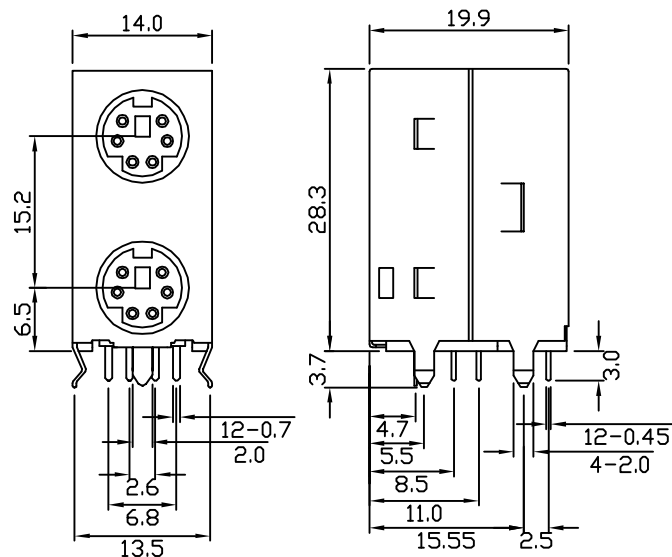
Electrical

Current Rating : 100V AC 1A MAX.
 12V DC 2A MAX.
 Insulation Resistance :500
 megohms MIN at 500V DC
 Dielectric Strength :
 500V AC/1 minute
 Contact Resistance: 30 mohms MAX
 Mating Force: 4.5 Kg MAX
 Unmating Force: 0.9 kg ~ 3 Kg

Ordering Information

189 - $\frac{X}{a} \frac{X}{b} \frac{X}{c} \frac{X}{d} \frac{X}{e} \frac{X}{f} \frac{X}{g}$

- a. Contact Type (Top)
 - 1: 4P
 - 2: 6P
 - 3: 8P
- b. Contact Type (Bottom)
 - 1: 4P
 - 2: 6P
 - 3: 8P
- c. Contact Plating
 - 0: Selective gold flash
 - 1: 15u" selective gold on contact
 - 2: 30u" selective gold on contact
- d. Shell Plating
 - 1: Nickel
 - 2: Tin
- e. Grounding Type
 - 0: Without Grounding Strip
 - 1: With Grounding Strip
- f. Insulator Color(Bottom)
 - 1: White
 - 2: Black
 - 3: Green
 - 4: Purple
 - 5: Yellow
- g. Insulator Color(Top)
 - 1: White
 - 2: Black
 - 3: Green
 - 4: Purple
 - 5: Yellow



Recommended P.C.B. Layout (BOTTOM VIEW)

DO NOT SCALE DRAWING

DIMENSIONS: <input type="checkbox"/> MM [INCH] <input type="checkbox"/> INCH [mm] <input checked="" type="checkbox"/> MM ONLY	CAD GENERATED DRAWING, DO NOT MANUALLY UPDATE	Y-S ELECTRONIC CO., LTD. No. 101, Sec. 1, Long-An Street, Lu-Chu, Taoyuan, Taiwan, R.O.C. TEL: +886-3-3609819 FAX: +886-3-3609817		
	UNLESS OTHERWISE SPECIFIED, GENERAL TOLERANCE: DECIMALS ANGLES X: ±0.38 [0.015] X°: ±3° .X: ±0.25 [0.010] .X°: ±1.0° .XX: ±0.13 [0.005]		DRAWN BY AND DATE JUSTIN XING 07-12-06	TITLE 189 SERIES MINIATURE CIRCULAR CONNECTORS STACK TYPE
MATERIAL:	CHECKED BY AND DATE JUSTIN XING 07-12-06	APPROVED BY AND DATE MICHAEL HUANG 07-12-06	DRAWING NO. 189-XXXXXXX	REV A
FINISH:	SCALE: 2 : 1	THIRD ANGLE PROJECTION SIZE: A3	FILE NO.:	SHEET 1 OF 1