

THE INFORMATION CONTAINED IN THIS DOCUMENT IS PROPRIETARY TO Y-S ELECTRONIC. ANY REPRODUCTION IN PART OR WHOLE WITHOUT PRIOR WRITTEN APPROVAL OR AUTHORIZATION OF Y-S ELECTRONIC IS STRICTLY PROHIBITED.

RoHS COMPLIANT

REVISIONS				
REV	ECN NO.	DESCRIPTION	APPROVED BY	DATE
A		△	MR.CHIU	2006-05-31

Note:

1.Material:

1.1 Insulator: P.B.T UL 94-V0 rated.

1.2 Contact: Copper alloy,t=0.20mm.

1.3 Shell: Copper alloy,t=0.30mm.

2.Specification:

2.1 Current rating: 1 A Max.

2.2 Dielectric withstanding voltage: 500 V(ac) for 1 minute.

2.3 Contact resistance: 30 mΩ Max.

2.4 Insulation resistance: 1000 MΩ Min at DC 500V.

2.5 Total mating force: 4.0 Kgf Max.

2.6 Total unmating force: 1.0 Kgf Min.

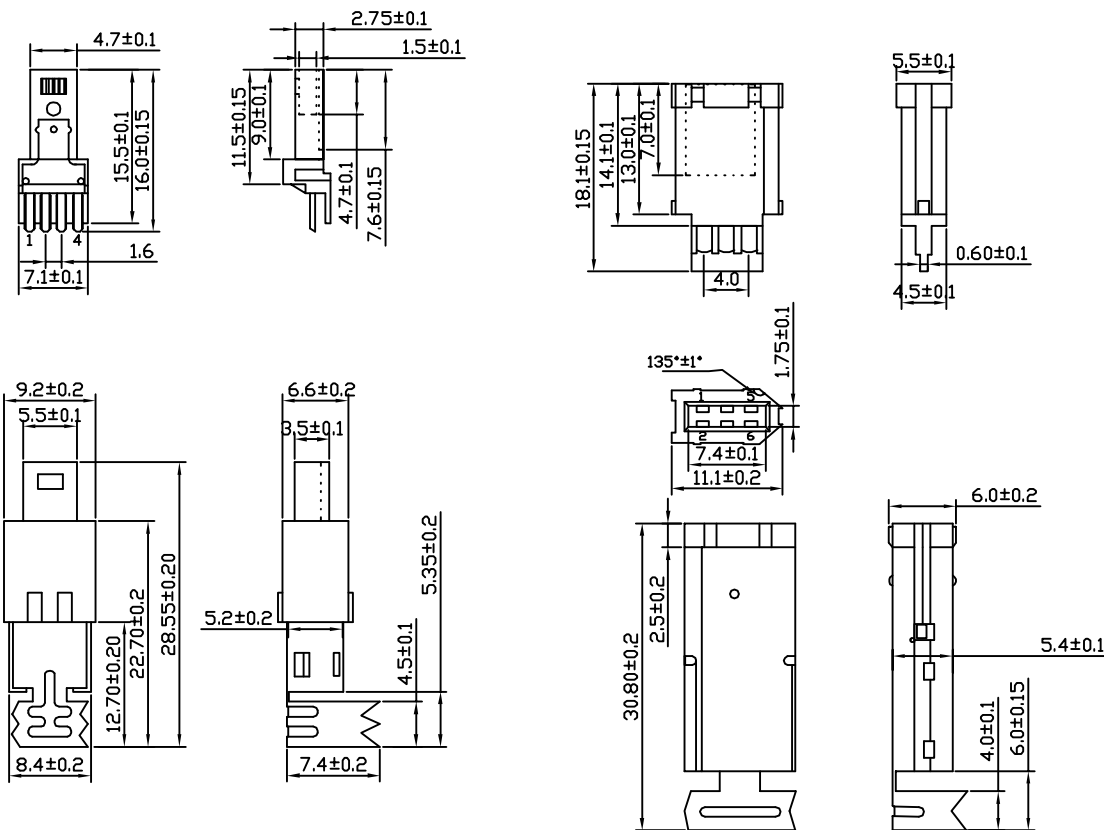
2.7 Temperature range: -55°C~+105°C

Ordering Information

187a - $\frac{XX}{a} \frac{X}{b} \frac{X}{c} \frac{X}{d} \frac{X}{e}$

- a. No. Of Pins
04: 04 positions
06: 06 positions
- b. Contact Type
1: Male
2: Female
- c. Contact Plating
0: Gold flash selective gold
1: 5u' selective gold on contact
2: 10u' selective gold on contact
3: 15u' selective gold on contact
4: 30u' selective gold on contact
5: 50u' selective gold on contact

- d. Shell Plating
1: Nickel
2: Tin
- e. Insulator Color
1: White
2: Black



IEEE 1394-4PIN(M) SOLDER TYPE

Y-S P/N:187a-041012

IEEE 1394-6PIN(M) SOLDER TYPE

Y-S P/N:187a-061012

DO NOT SCALE DRAWING

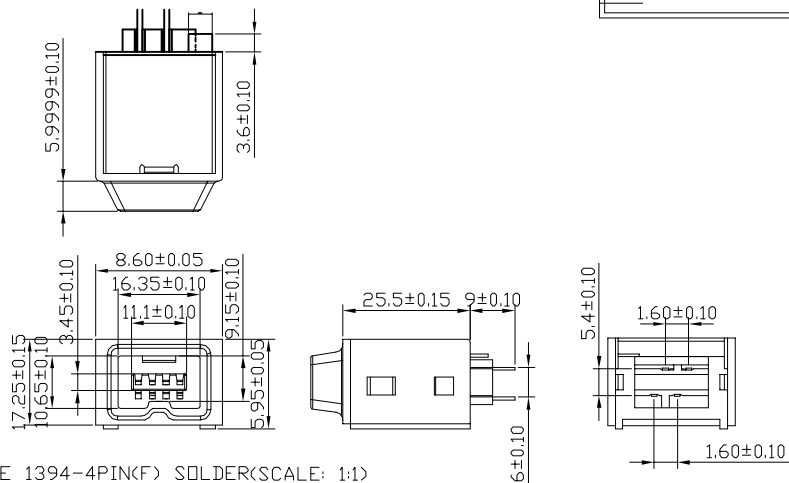
DIMENSIONS: <input type="checkbox"/> MM [INCH] <input type="checkbox"/> INCH [mm] <input checked="" type="checkbox"/> MM ONLY	CAD GENERATED DRAWING, DO NOT MANUALLY UPDATE	
	DRAWN BY AND DATE JUSTIN XING 05-27-06	
UNLESS OTHERWISE SPECIFIED, GENERAL TOLERANCE: DECIMALS ANGLES X: ±0.38 [0.015] X°: ±3° .X: ±0.25 [0.010] .X°: ±1.0° .XX: ±0.13 [0.005]	CHECKED BY AND DATE JUSTIN XING 05-27-06	
	APPROVED BY AND DATE KING CHIU 05-27-06	
MATERIAL FINISH	THIRD ANGLE PROJECTION 	
	SCALE: 2 : 1	SIZE: A3

	Y-S ELECTRONIC CO., LTD. No. 101, Sec. 1, Long-An Street, Lu-Chu, Taoyuan, Taiwan, R.O.C. TEL: +886-3-3609819 FAX: +886-3-3609817	
	TITLE 187a SERIES IEEE 1394 CONNECTOR SOLDER TYPE	
DRAWING NO. 187a-062012		REV A
FILE NO.:		SHEET 1 OF 2

THE INFORMATION CONTAINED IN THIS DOCUMENT IS PROPRIETARY TO Y-S ELECTRONIC. ANY REPRODUCTION IN PART OR WHOLE WITHOUT PRIOR WRITTEN APPROVAL OR AUTHORIZATION OF Y-S ELECTRONIC IS STRICTLY PROHIBITED.

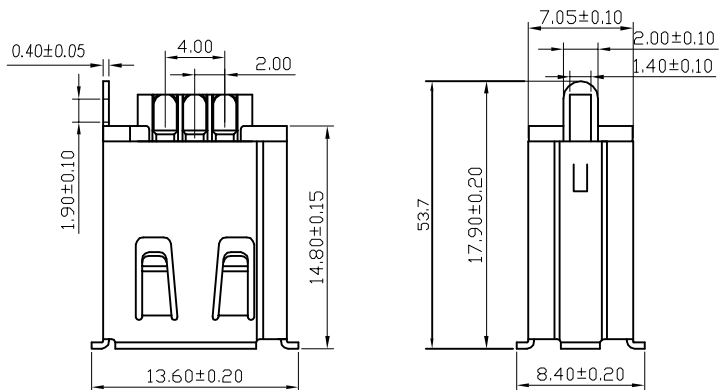
RoHS COMPLIANT

REVISIONS				
REV	ECN NO.	DESCRIPTION	APPROVED BY	DATE
A		△	MR.CHIU	2006-05-31



IEEE 1394-4PINK(F) SOLDER(SCALE: 1:1)

Y-S P/N:187α-042012



IEEE 1394-6PINK(F) SOLDER(SCALE: 3:1)

Y-S P/N:187α-062012

Note:

1.Material:

- 1.1 Insulator: P.B.T UL 94-V0 rated.
- 1.2 Contact: Copper alloy,t=0.20mm.
- 1.3 Shell: Copper alloy,t=0.30mm.

2.Specification:

- 2.1 Current rating: 1 A Max.
- 2.2 Dielectric withstanding voltage: 500 V(ac) for 1 minute.
- 2.3 Contact resistance: 30 mW Max.
- 2.4 Insulation resistance: 1000 MW Min at DC 500V.
- 2.5 Total mating force: 4.0 Kgf Max.
- 2.6 Total unmating force: 1.0 Kgf Min.
- 2.7 Temperature range: -55°C~+105°C

Ordering Information

187α - $\frac{XX}{a} \frac{X}{b} \frac{X}{c} \frac{X}{d} \frac{X}{e}$

- a. No. Of Pins
 - 04: 04 positions
 - 06: 06 positions
- b. Contact Type
 - 1: Male
 - 2: Female
- c. Contact Plating
 - 0: Gold flash selective gold
 - 1: 5u' selective gold on contact
 - 2: 10u' selective gold on contact
 - 3: 15u' selective gold on contact
 - 4: 30u' selective gold on contact
 - 5: 50u' selective gold on contact
- d. Shell Plating
 - 1: Nickel
 - 2: Tin
- e. Insulator Color
 - 1: White
 - 2: Black

DO NOT SCALE DRAWING

DIMENSIONS: <input type="checkbox"/> MM [INCH] <input type="checkbox"/> INCH [mm] <input checked="" type="checkbox"/> MM ONLY	CAD GENERATED DRAWING, DO NOT MANUALLY UPDATE	
	UNLESS OTHERWISE SPECIFIED, GENERAL TOLERANCE: DECIMALS X ±0.38 [0.015] X° ±3° X ±0.25 [0.010] X° ±10° XX ±0.13 [0.005]	CHECKED BY AND DATE JUSTIN XING 05-27-06
MATERIAL	APPROVED BY AND DATE KING CHIU 05-27-06	DRAWING NO. 187α-062012
FINISH	SCALE: NOTE	SIZE: A3
THIRD ANGLE PROJECTION		FILE NO.: SHEET 2 OF 2



Y-S ELECTRONIC CO., LTD.
 No. 101, Sec. 1, Long-An Street,
 Lu-Chu, Taoyuan, Taiwan, R.O.C.
 TEL: +886-3-3609819 FAX: +886-3-3609817

REV
A