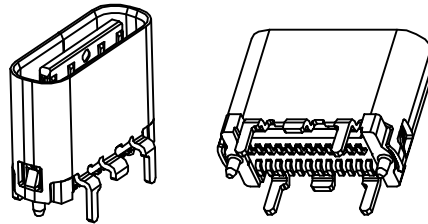
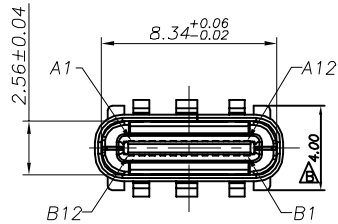


THE INFORMATION CONTAINED IN THIS DOCUMENT IS PROPRIETARY TO Y-S ELECTRONIC, ANY REPRODUCTION IN PART OR WHOLE WITHOUT PRIOR WRITTEN APPROVAL OR AUTHORIZATION OF Y-S ELECTRONIC IS STRICTLY PROHIBITED.

RoHS COMPLIANT

REV.	DESCRIPTION	ECN NO.	DWN.	CHK.	APVD.	DATE
A						



NOTE:

1.MATERIAL SPECIFICATION:

- 1.HOUSING:LCP,UL94 V-0.
- 2.TERMINAL: COPPER ALLOY
- 3.MID PLATE: STAINLESS STEEL
- 4.FRONT SHELL: STAINLESS STEEL
- 5.EMI PLATE: STAINLESS STEEL

2.PLATING SPECIFICATION:

- 2-1.TERMINAL:  
Ni 50u" MIN. UNDER PLATED OVER ALL.  
Au PLATED ON THE FUNCTIONAL AREA OF CONTACT.  
(GOLD PLATING THICKNESS FOLLOW THE P/N)  
PLATING SPECIFICATIONS OF THE SOLDER AREA FOLLOW THE P/N

- 2-2.FRONT SHELL:  
PLATING SPECIFICATIONS FOLLOW THE P/N

- 2-3.MID PLATE&EMI PLATE:  
CLEAR ONLY

3.MECHANICAL PERFORMANCE,

- 3-1.INSERTION FORCE: 0.5~2.0kgf.
- 3-2.REMOVAL FORCE: 0.8kgf~2.0kgf.
- 3-3.DURABILITY: 10000 CYCLES.

4.ELECTRICAL PERFORMANCE,

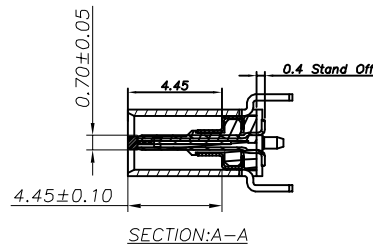
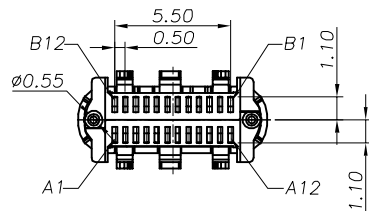
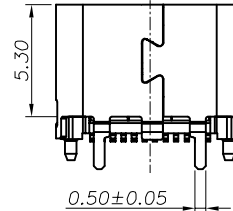
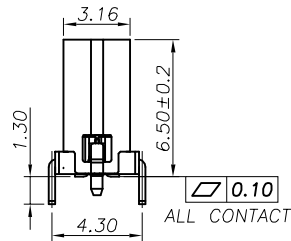
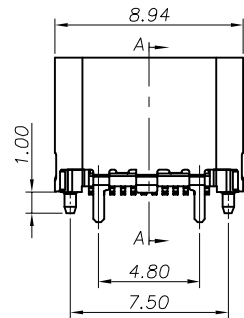
- 4-1. VOLTAGE RATING:5 V DC/AC (RMS. max)  
CURRENT RATING:5 AMPS. FOR TOTAL VBUS/GND PINS;  
1.25AMPS FOR CC PIN,0.25 AMPS. FOR ALL OTHER CONTACT.
- 4-2. LLCR:  
VBUS & GND PINS AND OTHER PINS: 40mΩ/PIN MAX.  
SHIELD: 50mΩ/MAX.  
LLCR MAX. CHANGE OF ALL PINS: 10mΩ.
- 4-3.INSULATION RESISTANCE: 100MΩ MIN
- 4-4.DIELECTRIC WITHSTAND VOLTAGE,AC 100V FOR 1 MINUTE.

5. ENVIRONMENTAL PERFORMANCE:

- OPERATING TEMPERATURE: -25°C~+85°C.

6.IR REFLOW:

THE PEAK TEMPERATURE ON THE BOARD SHALL BE MAINTAINED FOR 10 SECONDS AT 260°C.



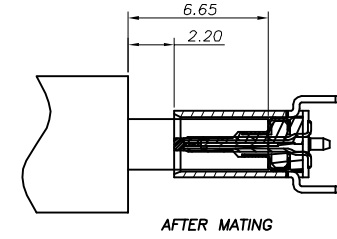
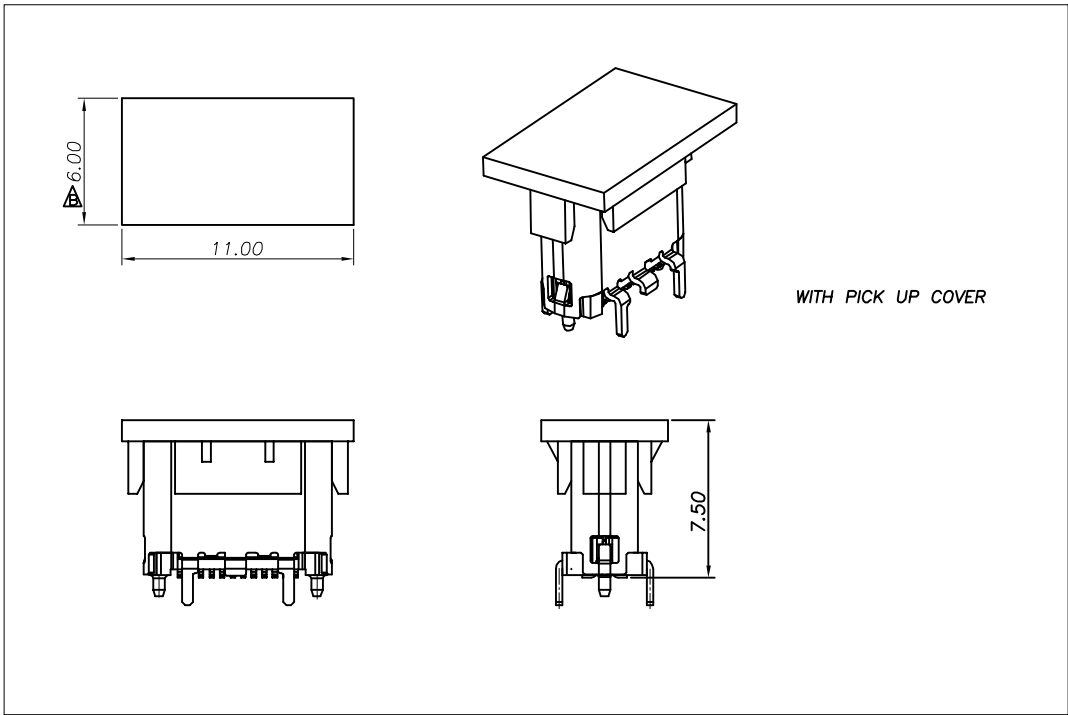
DO NOT SCALE DRAWING

DIMENSIONS: <input type="checkbox"/> mm [INCH] <input type="checkbox"/> INCH [mm] <input checked="" type="checkbox"/> mm ONLY		CAD GENERATED DRAWING, DO NOT MANUALLY UPDATE			
UNLESS OTHERWISE SPECIFIED, GENERAL TOLERANCE: DECIMALS ANGLES X. ±0.38 [0.015] X' ±3° .X ±0.25 [0.010] .X' ±1.0° .XX ±0.13 [0.005]		DRAWN BY AND DATE Xie 2015-09-16			
MATERIAL:		CHECKED BY AND DATE Long 2015-09-16		DRAWING NO. 184j-2423D14	
FINISH:		APPROVED BY AND DATE Zhou 2015-09-16		REV A	
SCALE: 1 : 1		THIRD ANGLE PROJECTION		FILE NO.:	
SIZE: A3		SHEET 1 OF 1			

THE INFORMATION CONTAINED IN THIS DOCUMENT IS PROPRIETARY TO Y-S ELECTRONIC, ANY REPRODUCTION IN PART OR WHOLE WITHOUT PRIOR WRITTEN APPROVAL OR AUTHORIZATION OF Y-S ELECTRONIC IS STRICTLY PROHIBITED.

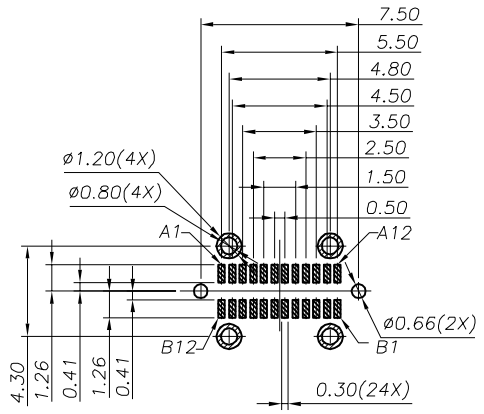
RoHS COMPLIANT

REV.	DESCRIPTION	ECN NO.	DWN.	CHK.	APVD.	DATE
A						



USB TYPE-C PIN ASSIGNMENTS

PIN NUMBER	SIGNAL NAME	PIN NUMBER	SIGNAL NAME
A1	GND	B12	GND
A2	SSTXp1	B11	SSRXp1
A3	SSTXn1	B10	SSRXn1
A4	Vbus	B9	Vbus
A5	CC1	B8	SBU2
A6	Dp1	B7	Dn2
A7	Dn1	B6	Dp2
A8	SBU1	B5	CC2
A9	Vbus	B4	Vbus
A10	SSRXn2	B3	SSTXn2
A11	SSRXp2	B2	SSTXp2
A12	GND	B1	GND



RECOMMENDED PCB LAYOUT(TOP VIEW)  
DEFAULT TOLERANCE:±0.05

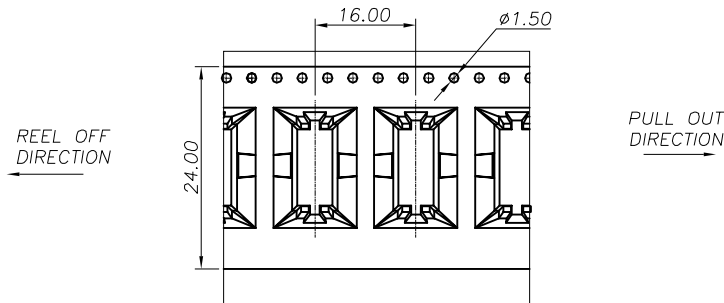
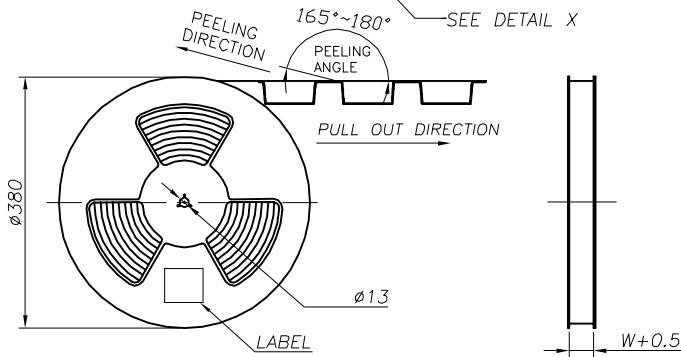
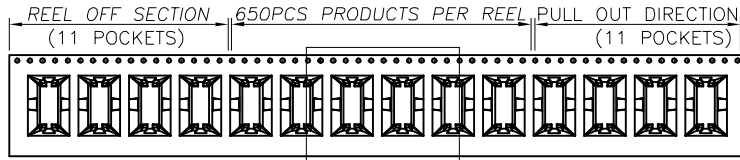
DO NOT SCALE DRAWING

DIMENSIONS: <input type="checkbox"/> mm [INCH] <input type="checkbox"/> INCH [mm] <input checked="" type="checkbox"/> mm ONLY		CAD GENERATED DRAWING, DO NOT MANUALLY UPDATE DRAWN BY AND DATE Xie 2015-09-16			
UNLESS OTHERWISE SPECIFIED, GENERAL TOLERANCE: DECIMALS    ANGLES X: ±0.38 [0.015]    X' ±3' .X ±0.25 [0.010]    .X' ±1.0' .XX ±0.13 [0.005]		CHECKED BY AND DATE Long 2015-09-16 APPROVED BY AND DATE Zhou 2015-09-16 THIRD ANGLE PROJECTION		TITLE <b>184J SERIES USB 3.1 TYPE C</b>	
MATERIAL:  FINISH:		SCALE: 1 : 1    SIZE: A3		DRAWING NO. <b>184j-2423D14</b> REV A	
FILE NO.:				SHEET 1 OF 1	

THE INFORMATION CONTAINED IN THIS DOCUMENT IS PROPRIETARY TO Y-S ELECTRONIC, ANY REPRODUCTION IN PART OR WHOLE WITHOUT PRIOR WRITTEN APPROVAL OR AUTHORIZATION OF Y-S ELECTRONIC IS STRICTLY PROHIBITED.

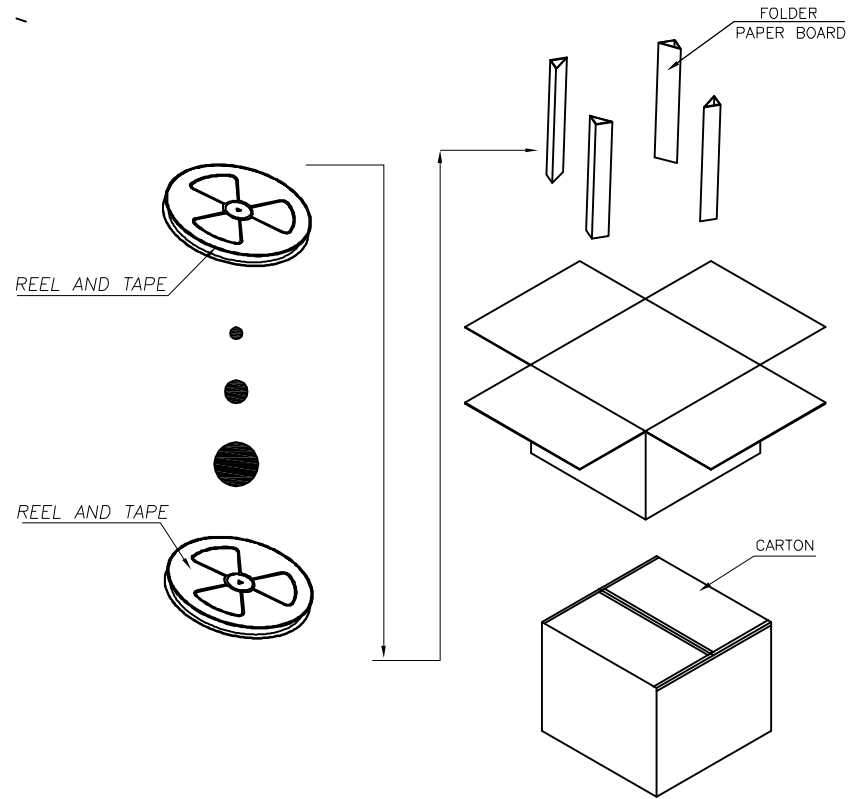
RoHS COMPLIANT

REV.	DESCRIPTION	ECN NO.	DWN.	CHK.	APVD.	DATE
A						



DETAIL X  
SCALE: 2:1

	PEEL/TRAY	CARTON
CONNECTOR(PCS)	650	6500



DO NOT SCALE DRAWING

DIMENSIONS:  
 mm [INCH]    INCH [mm]    mm ONLY

UNLESS OTHERWISE SPECIFIED,  
 GENERAL TOLERANCE:  
 DECIMALS                      ANGLES  
 X: ±0.38 [0.015]            X': ±3'  
 .X ±0.25 [0.010]            .X' ±1.0'  
 .XX ±0.13 [0.005]

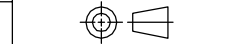
MATERIAL:

FINISH:

CAD GENERATED DRAWING,  
 DO NOT MANUALLY UPDATE  
 DRAWN BY AND DATE  
 Xie 2015-09-16

CHECKED BY AND DATE  
 Long 2015-09-16  
 APPROVED BY AND DATE  
 Zhou 2015-09-16

THIRD ANGLE PROJECTION



SCALE: 1:1      SIZE: A3



TITLE  
**184J SERIES  
 USB 3.1 TYPE C**

DRAWING NO. **184j-2423D14**      REV **A**

FILE NO.:      SHEET 1 OF 1