

THE INFORMATION CONTAINED IN THIS DOCUMENT IS PROPRIETARY TO Y-S ELECTRONIC, ANY REPRODUCTION IN PART OR WHOLE, WITHOUT PRIOR WRITTEN APPROVAL OR AUTHORIZATION OF Y-S ELECTRONIC IS STRICTLY PROHIBITED.

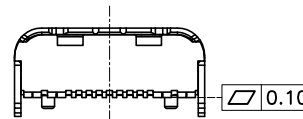
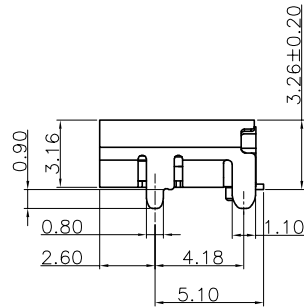
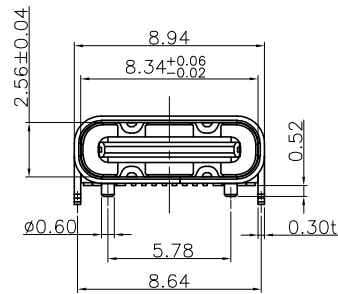
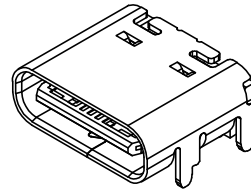
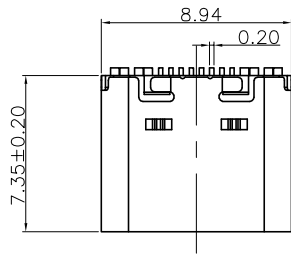
RoHS COMPLIANT

REV.	DESCRIPTION	ECN NO.	DWN.	CHK.	APVD.	DATE
A					Bert	2023.08.08

NOTES:

SPECIFICATION:

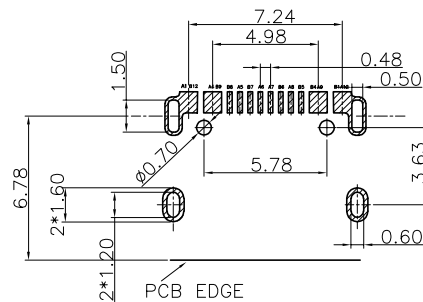
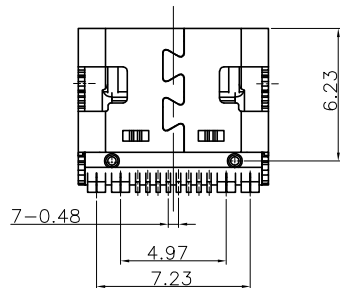
- CURRENT RATING: 15A MAX
- VOLTAGE: 100 VAC
- TEMPERATURE RANGE: -30 °C ~ 85 °C
- CONTACT RESISTANCE: 40 MILLIONHM MAX
- INSULATION RESISTANCE: 100 MEGOHMS MIN.
- INSERTION FORCE : 5N~20N
- UNMATING FORCE: 8N~20N
- DURABILITY: 10,000 CYCLES



Ordering Information

184j -  $\frac{XX}{a} \frac{X}{b} \frac{X}{c} \frac{X}{d} \frac{X}{e} \frac{X}{f}$

- a. No. Of Pins  
16: 16 positions
- b. Contact Type  
**B: Female (15A)**
- c. Contact Plating  
0: Gold flash selective gold  
2: 15u" selective gold over 50u" nickel  
3: 30u" selective gold over 50u" nickel
- d. Shell Type  
1: Nickel
- e. Insulator Color  
1: Black (LCP)
- f. Contact Type (Signal Pin)  
F: SMT Type (Single row L=7.35mm)



RECOMMENDED P.C.B. LAYOUT TOLERANCE UNSPECIFIED ±0.05mm

PIN ASSIGNMENTS:

PIN	A1	A4	A5	A6	A7	A8	A9	A12
Signal Name	GND	V <sub>BUS</sub>	CC1	Dp1	Dn1	SBU1	V <sub>BUS</sub>	GND
PIN	B12	B9	B8	B7	B6	B5	B4	B1
Signal Name	GND	V <sub>BUS</sub>	SBU2	Dn2	Dp2	CC2	V <sub>BUS</sub>	GND

NO.	DESCRIPTION	MATERIAL	REMARKS	QTY
7	SHELL	SUS304	NI Plated	1PCS
6	OVER MOLDING	LCP+30%G.F	BLACK	1PCS
5	TOP I/M	LCP+30%G.F	BLACK	1PCS
4	BOTTOM I/M	LCP+30%G.F	BLACK	1PCS
3	MID PLATE	SUS301	NI Plated	1PCS
2	CONTACT	C7025	Au/Ni Plated	1SET
1	CONTACT	C7025	Au/Ni Plated	1SET

DIMENSIONS: <input type="checkbox"/> mm [INCH] <input type="checkbox"/> INCH [mm] <input checked="" type="checkbox"/> mm ONLY		CAD GENERATED DRAWING, DO NOT MANUALLY UPDATE DRAWN BY AND DATE			
UNLESS OTHERWISE SPECIFIED, GENERAL TOLERANCE: DECIMALS      ANGLES X. ±0.38 [0.015]   X* ±3° .X ±0.25 [0.010]   .X* ±1.0° .XX ±0.13 [0.005]		CHECKED BY AND DATE APPROVED BY AND DATE Bert Zhou 2020-10-12 THIRD ANGLE PROJECTION			
MATERIAL:				DRAWING NO. 184J-16B011F      REV A	
FINISH:		SCALE: 1:1      SIZE: A3		FILE NO.:      SHEET 1 OF 1	

DO NOT SCALE DRAWING