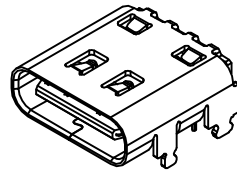
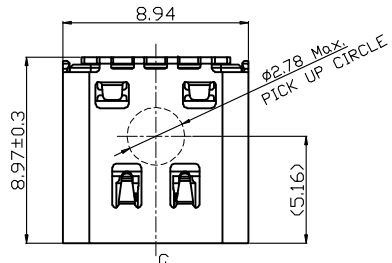


THE INFORMATION CONTAINED IN THIS DOCUMENT IS PROPRIETARY TO Y-S ELECTRONIC, ANY REPRODUCTION IN PART OR WHOLE WITHOUT PRIOR WRITTEN APPROVAL OR AUTHORIZATION OF Y-S ELECTRONIC IS STRICTLY PROHIBITED.

RoHS COMPLIANT

REV.	DESCRIPTION	ECN NO.	DWN.	CHK.	APVD.	DATE
A			Xie	Fan	Zhou	2018.04.19



PIN ASSIGNMENT			
PIN NUMBER	SIGNAL NAME	PIN NUMBER	SIGNAL NAME
A1,A12,B1,B12	GND		
A2	SSRXp1	B11	SSRXp1
A3	SSTXn1	B10	SSRXn1
A4,A9,B4,B9	VBUS		
A5	CC1	B8	SBU2
A6	D+	B7	D-
A7	D-	B6	D+
A8	SBU1	B5	CC2
A10	SSRXn2	B3	SSTXn2
A11	SSRXp2	B2	SSTXp2

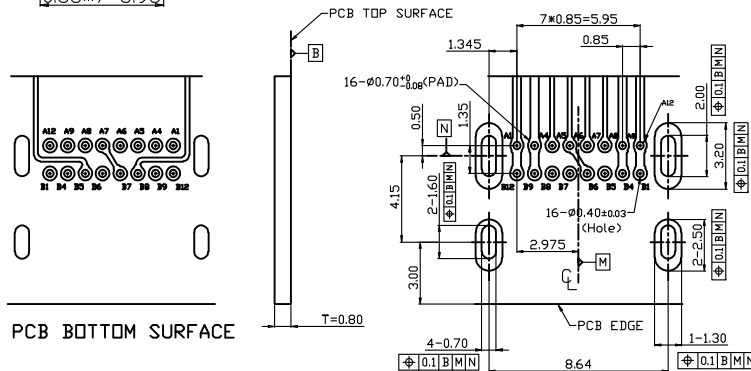
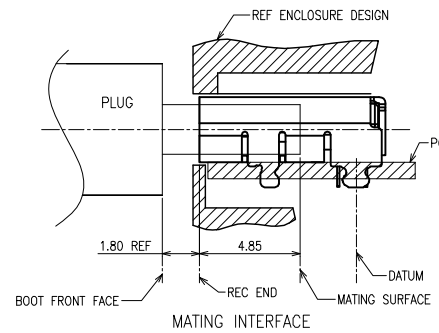
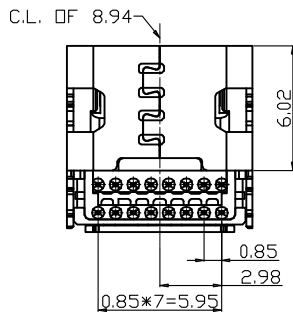
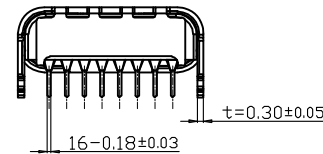
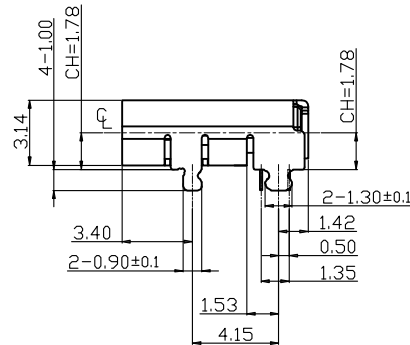
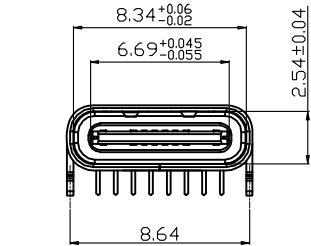
NOTE:

- Material:
  - All Housing: LCP,Black,Thermoplastics,UL94V-0(Halogen Free).
  - Contact: Copper Alloy
  - Shell: Stainless Stell.
  - Mid Shell Plate: Stainless Stell.
- FINISH:
  - Contact: Au 1u" Plated on Contact Area, 80u" Min. Bright Tin Plated on Solder Area 30u" Min.Nickel Underplating Over All.
  - Shell: 50u" Min. Nickel plated Over All.
- Specification:
  - Electrical:
    - Current Rating: 5A For Pin(A4,A9,B4,B9), 1.25A For Others Pin
    - Insulation Resistance: 100MΩ Min.
    - Contact Resistance: 50 mΩ Max.
    - Dielectric Withstanding Voltage: 100V/AC 1Minute
  - Mechanical Characteristic:
    - Insertion Force: 5~20N
    - Extraction Force: 0~1000 Cycles 8~20N, 1000~10000 Cycles 5~20N
    - Durability :10000 Cycles
- Recommended process IR REFLOW:260°C, 3-5seconds.

Ordering Information

184j -  $\frac{XX}{a} \frac{X}{b} \frac{X}{c} \frac{X}{d} \frac{X}{e} \frac{X}{f}$

- |   |                            |
|---|----------------------------|
| a. No. Of Pins                          | d. Shell Type              |
| 16: 16 positions                        | 1: Nickel                  |
| b. Contact Type                         | e. Insulator Color         |
| 2: Female                               | 1: Black (LCP)             |
| c. Contact Plating                      | f.Contact Type(Signal Pin) |
| 0: Gold flash selective gold            | A: 90° DIP Type            |
| 1: 5u" selective gold over 50u" nickel  |                            |
| 2: 15u" selective gold over 50u" nickel |                            |
| 3: 30u" selective gold over 50u" nickel |                            |



RECOMMENDED P.C.B LAYOUT

GENERAL TOLERANCE:±0.05  
PCB TOP SURFACE

NO.	NAME	PLATING	MARK
7	UP Terminal	Copper Alloy , Au 1u" Plated on contact Area	8PCS
6	Down Terminal	80u" Min. Bright Tin Plated on Solder Area	8PCS
5	Down Molding	LCP Black(Halogen Free),	1PCS
4	Upper Molding	LCP Black(Halogen Free),	1PCS
3	Body Second Molding	LCP Black(Halogen Free),	1PCS
2	Mid Shield Plate	Stainless Steel , SUS304 1/2H, Clear,No Plated	1PCS
1	Shell	Stainless steel, Nickel Plating over all	1PCS

DIMENSIONS: <input type="checkbox"/> mm [INCH] <input type="checkbox"/> INCH [mm] <input checked="" type="checkbox"/> mm ONLY		CAD GENERATED DRAWING, DO NOT MANUALLY UPDATE	
UNLESS OTHERWISE SPECIFIED, GENERAL TOLERANCE: DECIMALS      ANGLES .X ±0.38      X° ±3° .X ±0.25      .X° ±1.0° .XX ±0.15		CHECKED BY AND DATE Fan 2018-04-18	
MATERIAL: FINISH:		APPROVED BY AND DATE Zhou 2018-04-18	
SCALE: 1 : 1      SIZE: A3		THIRD ANGLE PROJECTION	
FILE NO.:		TITLE 184j SERIES USB 3.1 TYPE C	
DRAWING NO. 184j-162011A		REV A	
SHEET 1 OF 1		FILE NO.:	



DO NOT SCALE DRAWING