

THE INFORMATION CONTAINED IN THIS DOCUMENT IS PROPRIETARY TO Y-S ELECTRONIC, ANY REPRODUCTION IN PART OR WHOLE WITHOUT PRIOR WRITTEN APPROVAL OR AUTHORIZATION OF Y-S ELECTRONIC IS STRICTLY PROHIBITED.

RoHS COMPLIANT

REV.	DESCRIPTION	ECN NO.	DWN.	CHK.	APVD.	DATE
A			Xie		Zhou	2023-06-25

Note:

1. Material:

- 1.1 Housing: LCP
- 1.2 Contact: C7025, t=0.20mm
- 1.3 Shell: SUS316

2. ELECTRICAL:

2-1: CURRENT RATING:

VBUS AND GND CONTACTS RATED AT 1.25A
PARALLELED FOR A TOTAL OF 5A;

2-2: INITIAL CONTACT RESISTANCE : 40 MEGOHMS

2-3: DIELECTRIC WITHSTANDING VOLTAGE:
100V AC MIN;

3: MECHANICAL CHARACTERISTICS:

3-1: MATING FORCE: 5~20N

3-2: UNMATING FORCE: 8~20N (INITIAL),
6~20N (AFTER 10000 CYCLES)

3-3: FREQUENCY: 200±50 CYCLES / HOUR, 10000 CYCLES

3-4: OPERATING TEMPERATURE ; -40° ~ 80° .

Ordering Information

184j - $\frac{XX}{a} \frac{X}{b} \frac{X}{c} \frac{X}{d} \frac{X}{e} \frac{X}{f}$

a. No. Of Pins

06: 06 positions

b. Contact Type

N: Female IPX7 (Powder metallurgy casing H=7.15MM)

c. Contact Plating

0: Gold flash selective gold

d. Shell Type

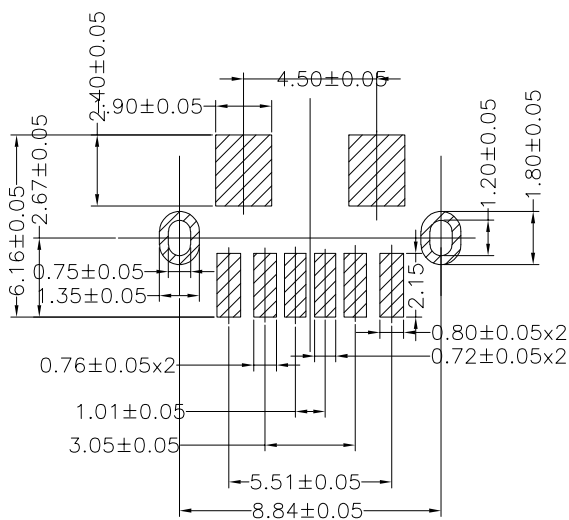
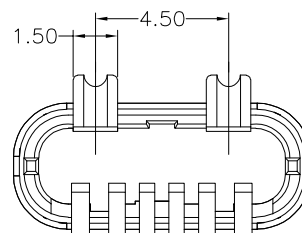
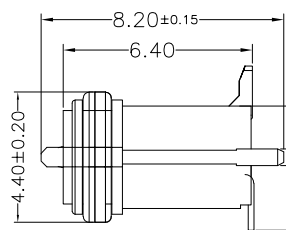
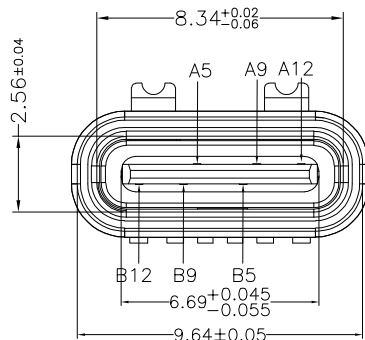
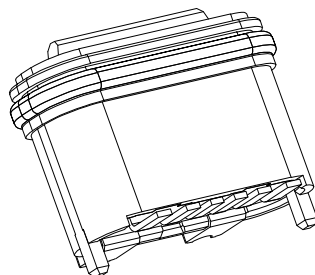
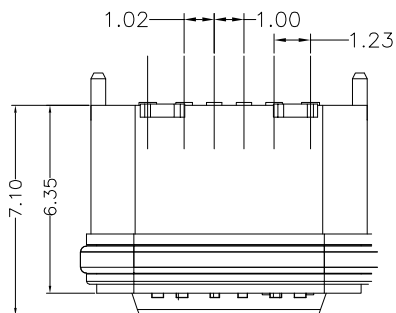
1: Nickel

e. Insulator Color

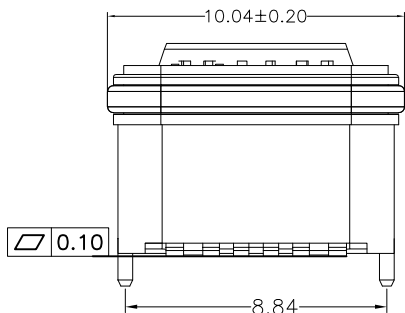
1: Black (LCP)

f. Contact Type (Signal Pin)

6: 180° SMT Type



PCB LAYOUT



DIMENSIONS: <input type="checkbox"/> mm <input type="checkbox"/> [INCH] <input type="checkbox"/> INCH [mm] <input checked="" type="checkbox"/> mm ONLY	CAD GENERATED DRAWING, DO NOT MANUALLY UPDATE		
	DRAWN BY AND DATE Xie 2017-12-15		
UNLESS OTHERWISE SPECIFIED, GENERAL TOLERANCE: DECIMALS X. ±0.38 .X ±0.25 .XX ±0.15 ANGLES X° ±3° .X° ±1.0°	CHECKED BY AND DATE Fan 2017-12-15		TITLE USB C Female 180° SMT 6P (Waterproof female base)
	APPROVED BY AND DATE Zhou 2017-12-15		
MATERIAL:	THIRD ANGLE PROJECTION		DRAWING NO. 184J-06N0116
FINISH:	SCALE: 1:1	SIZE: A3	
FILE NO.:			SHEET 1 OF 2

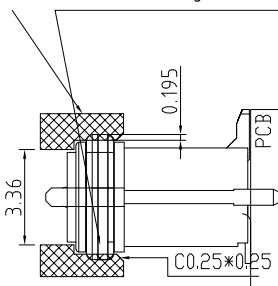
DO NOT SCALE DRAWING

THE INFORMATION CONTAINED IN THIS DOCUMENT IS PROPRIETARY TO Y-S ELECTRONIC, ANY REPRODUCTION IN PART OR WHOLE WITHOUT PRIOR WRITTEN APPROVAL OR AUTHORIZATION OF Y-S ELECTRONIC IS STRICTLY PROHIBITED.

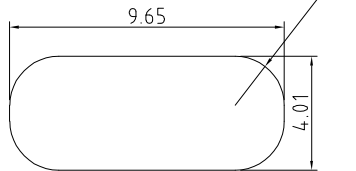
RoHS COMPLIANT

REV.	DESCRIPTION	ECN NO.	DWN.	CHK.	APVD.	DATE
A			Xie		Zhou	2023-06-25

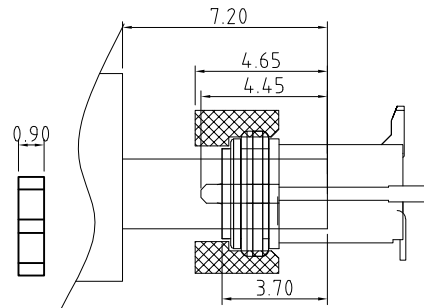
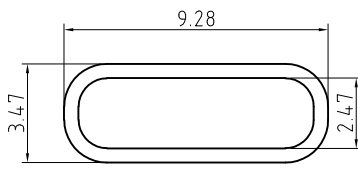
Interference between casing and rubber ring MIN0.15MM



Assembly drawing

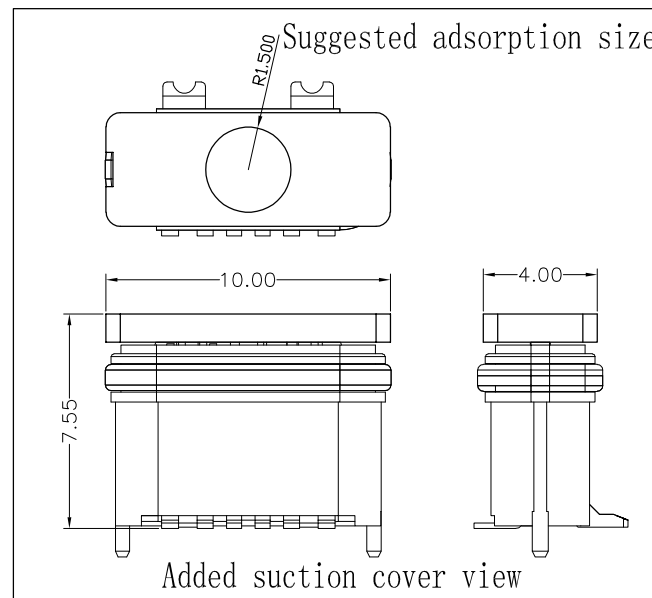


Rubber ring size



Male plug insertion reference picture

Hole Size
Environmentally friendly lubricant must be used when assembling the shell



Added suction cover view

USB TYPE-C PIN ASSIGNMENTS

PIN NUMBER	SIGNAL NAME	PIN NUMBER	SIGNAL NAME
A1	GND	B12	GND
A2	TXp1	B11	RXp1
A3	TXn1	B10	RXn1
A4	VBUS	B9	VBUS
A5	CC1	B8	SBU2
A6	Dp1	B7	Dn2
A7	Dn1	B6	Dp2
A8	SBU1	B5	CC2
A9	VBUS	B4	VBUS
A10	RXn2	B3	TXn2
A11	RXp2	B2	TXp2
A12	GND	B1	GND

DO NOT SCALE DRAWING

DIMENSIONS: <input type="checkbox"/> mm [INCH] <input type="checkbox"/> INCH [mm] <input checked="" type="checkbox"/> mm ONLY		CAD GENERATED DRAWING, DO NOT MANUALLY UPDATE			
UNLESS OTHERWISE SPECIFIED, GENERAL TOLERANCE: DECIMALS ANGLES X. ±0.38 X* ±3° .X ±0.25 .X* ±1.0° .XX ±0.15		DRAWN BY AND DATE Xie 2017-12-15			
MATERIAL:		CHECKED BY AND DATE Fan 2017-12-15		APPROVED BY AND DATE Zhou 2017-12-15	
FINISH:		THIRD ANGLE PROJECTION		DRAWING NO. 184J-06N0116	
		SCALE: 1:1 SIZE: A3		REV A	
				FILE NO.: SHEET 2 OF 2	