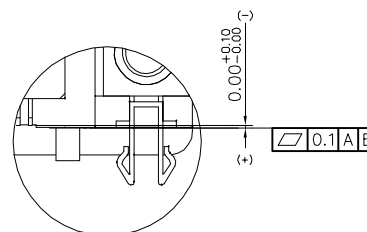
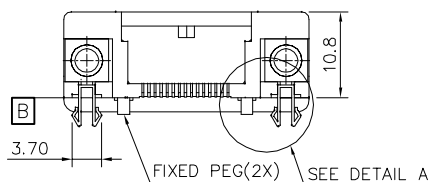
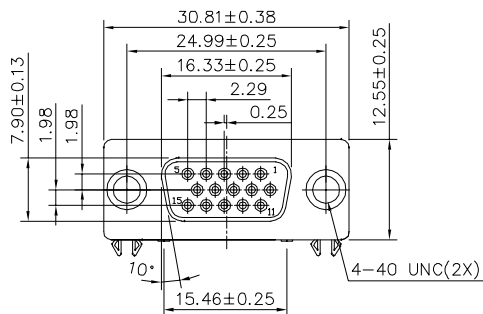


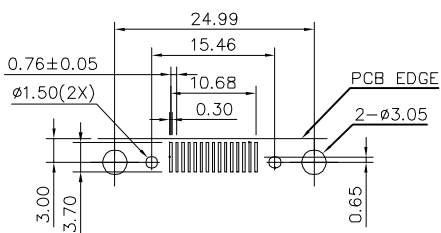
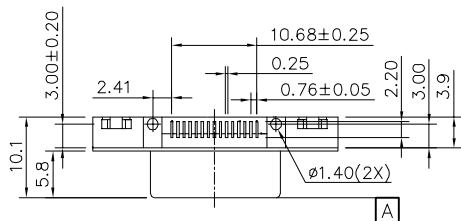
THE INFORMATION CONTAINED IN THIS DOCUMENT IS PROPRIETARY TO Y-S ELECTRONIC. ANY REPRODUCTION IN PART OR WHOLE WITHOUT PRIOR WRITTEN APPROVAL OR AUTHORIZATION OF Y-S ELECTRONIC IS STRICTLY PROHIBITED.

RoHS COMPLIANT

REVISIONS				
REV	ECN NO.	DESCRIPTION	APPROVED BY	DATE



DETAIL A
SCALE 2:1
Snap-in boardlock



PIN NUMBER:
6 11 1 7 12 2 8 13 3 9 14 4 10 15 5

15 PIN RECOMMENDED PCB LAYOUT

Product Specification

Material

Insulator :Glass-Filled Thermoplastic PBT,UL94V-0 rates
Contact :Brass or Phosphor Bronze
Shell : Steel, 100u' Tin Over 50u' min Copper
Clinch Nut: Brass, 100u' min Nickel Plated.
Boardlock :Brass, 100u' min Tin Plated.

Electrical

Contact Resistance :30 milliohms
Max at 1 AMP DC.
Insulation Resistance :1000
megohms at 500 VDC
Dielectric Withstanding Voltage :
1000 VAC/rms 60Hz for 1 minute
Current Rating :3 AMP
Voltage Rating :250 VAC/rms 60Hz

Ordering Information

168 - $\frac{XX}{a}$ $\frac{X}{b}$ $\frac{X}{c}$ $\frac{X}{d}$ $\frac{X}{e}$ $\frac{X}{f}$ $\frac{X}{g}$

- a. No. Of Pins
15: 15 positions
- b. Contact Type
1: Male
2: Female
- c. Contact Plating
0: gold flash selective gold
1: 15u' selective gold on contact
2: 30u' selective gold on contact
- d. Shell Plating
1: Nickel(standard)
2: Tin
3: Chromated
- e. Insulator Color
1: Blue
2: Black (Standard)
- f. Rivetting Options:
1: Snap-in boardlock
2: Press-in boardlock
- g. Flange Mounting Option
1: #4-40 threaded hole with #4-40 unc screwlock installed
2: #4-40 threaded hole with #4-40 unc screwlock bulk-packed
3: #4-40 threaded hole

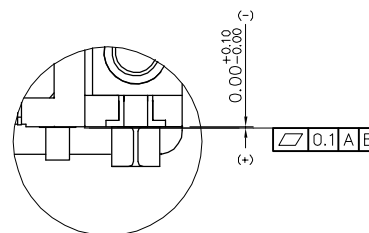
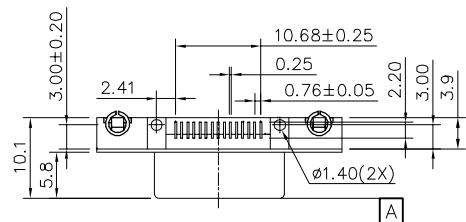
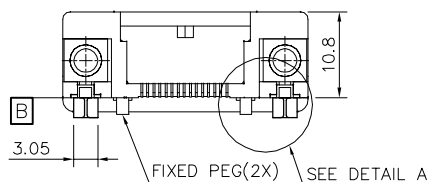
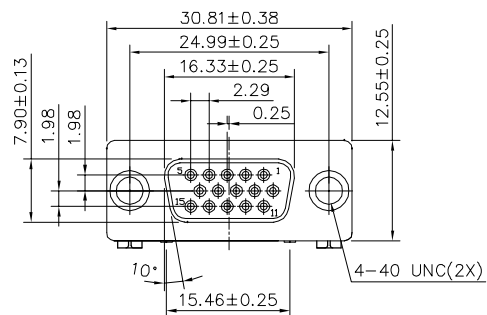
DO NOT SCALE DRAWING

DIMENSIONS: <input type="checkbox"/> MM [INCH] <input type="checkbox"/> INCH [mm] <input checked="" type="checkbox"/> MM ONLY	CAD GENERATED DRAWING, DO NOT MANUALLY UPDATE	Y-S ELECTRONIC CO., LTD. No. 101, Sec. 1, Long-An Street, Lu-Chu, Taoyuan, Taiwan, R.O.C. TEL: +886-3-3609819 FAX: +886-3-3609817	
	UNLESS OTHERWISE SPECIFIED, GENERAL TOLERANCE: DECIMALS ANGLES X: ±0.38 [0.015] X°: ±3° .X: ±0.25 [0.010] .X°: ±1.0° .XX: ±0.13 [0.005]		CHECKED BY AND DATE JUSTIN XING 24-04-08 APPROVED BY AND DATE MICHAEL HUANG 24-04-08 THIRD ANGLE PROJECTION
MATERIAL		DRAWING NO.	REV
FINISH		SCALE: NONE SIZE: A3	168-152XXX1X
FILE NO.		SHEET 1 OF 1	

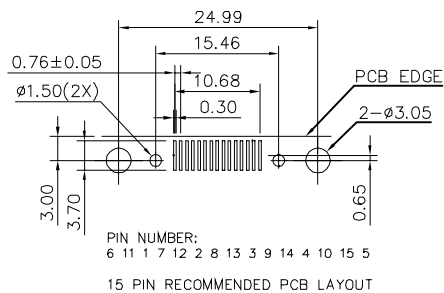
THE INFORMATION CONTAINED IN THIS DOCUMENT IS PROPRIETARY TO Y-S ELECTRONIC. ANY REPRODUCTION IN PART OR WHOLE WITHOUT PRIOR WRITTEN APPROVAL OR AUTHORIZATION OF Y-S ELECTRONIC IS STRICTLY PROHIBITED.

RoHS COMPLIANT

REVISIONS				
REV	ECN NO.	DESCRIPTION	APPROVED BY	DATE



DETAIL A
SCALE: 2:1
Snap-in boardlock



Product Specification

Material

Insulator :Glass-Filled Thermoplastic PBT,UL94V-0 rates
Contact :Brass or Phosphor Bronze
Shell : Steel, 100u' Tin Over 50u' min Copper
Clinch Nut: Brass, 100u' min Nickel Plated.
Boardlock :Brass, 100u' min Tin Plated.

Electrical


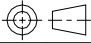
Contact Resistance :30 milliohms
Max at 1 AMP DC.
Insulation Resistance :1000
megohms at 500 VDC
Dielectric Withstanding Voltage :
1000 VAC/rms 60Hz for 1 minute
Current Rating :3 AMP
Voltage Rating :250 VAC/rms 60Hz

Ordering Information

168 - $\frac{XX}{a}$ $\frac{X}{b}$ $\frac{X}{c}$ $\frac{X}{d}$ $\frac{X}{e}$ $\frac{X}{f}$ $\frac{X}{g}$

- a. No. Of Pins
15: 15 positions
- b. Contact Type
1: Male
2: Female
- c. Contact Plating
0: gold flash selective gold
1: 15u' selective gold on contact
2: 30u' selective gold on contact
- d. Shell Plating
1: Nickel(standard)
2: Tin
3: Chromated
- e. Insulator Color
1: Blue
2: Black (Standard)
- f. Rivetting Options:
1: Snap-in boardlock
2: Press-in boardlock
- g. Flange Mounting Option
1: #4-40 threaded hole with #4-40 unc screwlock installed
2: #4-40 threaded hole with #4-40 unc screwlock bulk-packed
3: #4-40 threaded hole

DO NOT SCALE DRAWING

DIMENSIONS: <input type="checkbox"/> MM [INCH] <input type="checkbox"/> INCH [mm] <input checked="" type="checkbox"/> MM ONLY		CAD GENERATED DRAWING, DO NOT MANUALLY UPDATE DRAWN BY AND DATE JACK HONG 24-04-08		 Y-S ELECTRONIC CO., LTD. No. 101, Sec. 1, Long-An Street, Lu-Chu, Taoyuan, Taiwan, R.O.C. TEL: +886-3-3609819 FAX: +886-3-3609817		
UNLESS OTHERWISE SPECIFIED, GENERAL TOLERANCE: DECIMALS ANGLES X: ±0.38 [0.015] X°: ±3° .X: ±0.25 [0.010] .X°: ±1.0° .XX: ±0.13 [0.005]		CHECKED BY AND DATE JUSTIN XING 24-04-08 APPROVED BY AND DATE MICHAEL HUANG 24-04-08 THIRD ANGLE PROJECTION				TITLE <p style="text-align: center;">168 SERIES D-SUB H.D. SMT CONNECTOR</p>
MATERIAL FINISH		 SCALE: NONE SIZE: A3		DRAWING NO. <p style="text-align: center;">168-152XXX2X</p>		REV <p style="text-align: center;">A</p>
FILE NO.:				SHEET 1 OF 1		