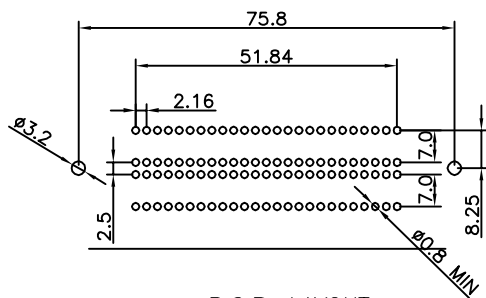
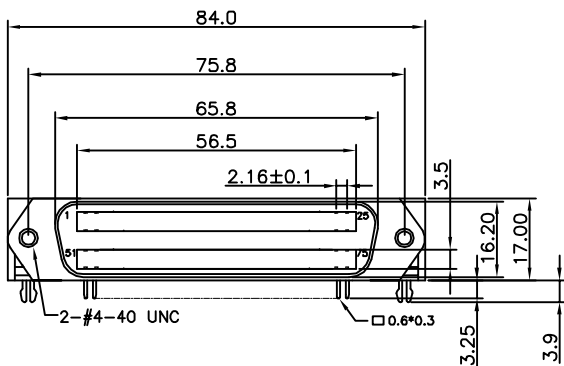
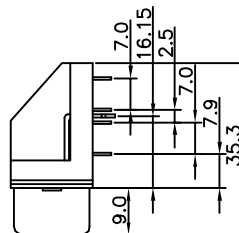
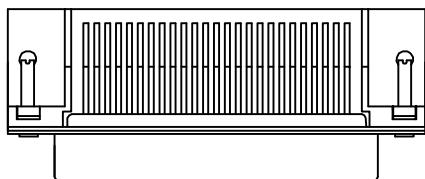


THE INFORMATION CONTAINED IN THIS DOCUMENT IS PROPRIETARY TO Y-S ELECTRONIC. ANY REPRODUCTION IN PART OR WHOLE WITHOUT PRIOR WRITTEN APPROVAL OR AUTHORIZATION OF Y-S ELECTRONIC IS STRICTLY PROHIBITED.

RoHS COMPLIANT

REVISIONS				
REV	ECN NO.	DESCRIPTION	APPROVED BY	DATE
A		△	MICHAEL HUANG	2008-07-11



P.C.B. LAYOUT

CENTRONIC 100 PIN FEMALE RIGHT ANGLE TYPE

Material and Finish

- 1.INSULATOR: PBT(UL94V-0),Black.
- 2.CONTACT: PHOSPHOR COPPER,Gold Plated.
- 3.SHELL: COLD ROLLED STEEL

Electrical Characteristics

- 1.Current Rating: 3.0 Amp. Max.
- 2.Dielectric Withstand Voltage: 1000V AC RMS for 60Seconds.
- 3.Insulation Resistance: 1000M Ohms Min. at 500V DC.
- 4.Contact Resistance: 35m Ohms Max.

Mechanical Characteristics

- 1.Operating Temperature: -55°C~+105°C

Ordering Information

142a - $\frac{XXX}{a} \frac{X}{b} \frac{X}{c} \frac{X}{d}$

- a.No. Df Pins
100: 100 positions
- b>Contact Type
2: Female
- c,Pin Type
1: Rivet Right Angle Type
2: Rivet Right Angle Type Screw lock
- d,Flange Mounting Option
0: Ø3.05mm clear hole
1: #4-40 threaded hole
2: M3 threaded hole
3: M2.6 threaded hole

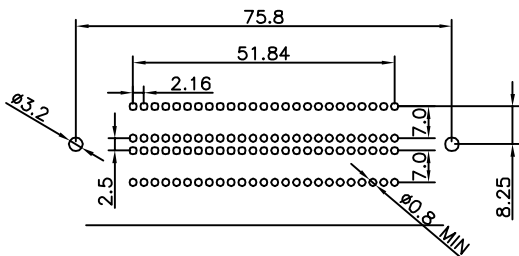
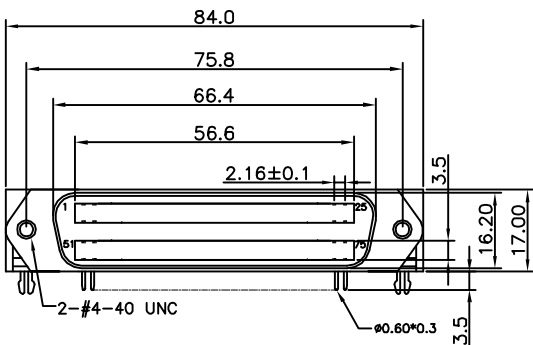
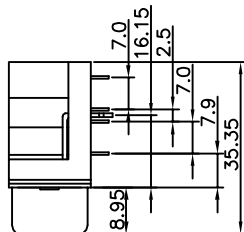
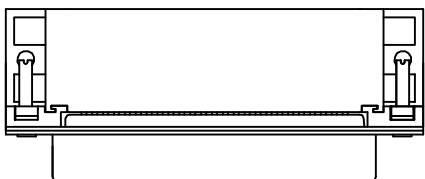
DO NOT SCALE DRAWING

DIMENSIONS: <input type="checkbox"/> MM [INCH] <input type="checkbox"/> INCH [mm] <input checked="" type="checkbox"/> MM ONLY	CAD GENERATED DRAWING, DO NOT MANUALLY UPDATE	Y-S ELECTRONIC CO., LTD. No. 101, Sec. 1, Long-An Street, Lu-Chu, Taoyuan, Taiwan, R.O.C. TEL: +886-3-3609819 FAX: +886-3-3609817		
	UNLESS OTHERWISE SPECIFIED, GENERAL TOLERANCE: DECIMALS ANGLES X: ±0.38 [0.015] X°: ±3° .X: ±0.25 [0.010] .X°: ±1.0° .XX: ±0.13 [0.005]		DRAWN BY AND DATE JUSTIN XING 07-03-06	TITLE 142a SERIES CENTRONIC CONNECTORS 100PIN FEMALE RIGHT ANGLE TYPE
MATERIAL FINISH	CHECKED BY AND DATE JUSTIN XING 07-03-06	APPROVED BY AND DATE MICHAEL HUANG 07-03-06 THIRD ANGLE PROJECTION	DRAWING NO. 142a-10021X	REV A
SCALE: 1 : 1	SIZE: A3		FILE NO.:	SHEET 1 OF 2

THE INFORMATION CONTAINED IN THIS DOCUMENT IS PROPRIETARY TO Y-S ELECTRONIC. ANY REPRODUCTION IN PART OR WHOLE WITHOUT PRIOR WRITTEN APPROVAL OR AUTHORIZATION OF Y-S ELECTRONIC IS STRICTLY PROHIBITED.

RoHS COMPLIANT

REVISIONS				
REV	ECN NO.	DESCRIPTION	APPROVED BY	DATE



P.C.B. LAYOUT

CENTRONIC 100 PIN FEMALE
RIGHT ANGLE SCREW LOCK TYPE

Material and Finish

- 1.INSULATOR: PBT(UL94V-0),Black.
- 2.CONTACT: PHOSPHOR COPPER,Gold Plated.
- 3.SHELL: COLD ROLLED STEEL

Electrical Characteristics

- 1.Current Rating: 3.0 Amp. Max.
- 2.Dielectric Withstand Voltage: 1000V AC RMS for 60Seconds.
- 3.Insulation Resistance: 1000M Ohms Min. at 500V DC.
- 4.Contact Resistance: 35m Ohms Max.

Mechanical Characteristics


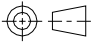
- 1.Operating Temperature: -55°C~+105°C

Ordering Information

142a - $\frac{XXX}{a} \frac{X}{b} \frac{X}{c} \frac{X}{d}$

- a.No. of Pins
100: 100 positions
- b>Contact Type
2: Female
- c,Pin Type
1: Rivet Right Angle Type
2: Rivet Right Angle Type Screw lock
- d,Flange Mounting Option
0: Ø3.05mm clear hole
1: #4-40 threaded hole
2: M3 threaded hole
3: M2.6 threaded hole

DO NOT SCALE DRAWING

DIMENSIONS: <input type="checkbox"/> MM [INCH] <input type="checkbox"/> INCH [mm] <input checked="" type="checkbox"/> MM ONLY	CAD GENERATED DRAWING, DO NOT MANUALLY UPDATE	 Y-S ELECTRONIC CO., LTD. No. 101, Sec. 1, Long-An Street, Lu-Chu, Taoyuan, Taiwan, R.O.C. TEL: +886-3-3609819 FAX: +886-3-3609817	
	UNLESS OTHERWISE SPECIFIED, GENERAL TOLERANCE: DECIMALS ANGLES X: ±0.38 [0.015] X°: ±3° .X: ±0.25 [0.010] .X°: ±1.0° .XX: ±0.13 [0.005]		DRAWN BY AND DATE JUSTIN XING 07-03-06
MATERIAL	CHECKED BY AND DATE JUSTIN XING 07-03-06	APPROVED BY AND DATE MICHAEL HUANG 07-03-06	142a SERIES CENTRONIC CONNECTORS 100PIN FEMALE RIGHT ANGLE TYPE
FINISH	THIRD ANGLE PROJECTION 		DRAWING NO.
	SCALE: 1:1	SIZE: A3	142a-10022X
			REV A
			FILE NO.
			SHEET 2 OF 2