

THE INFORMATION CONTAINED IN THIS DOCUMENT IS PROPRIETARY TO Y-S ELECTRONIC, ANY REPRODUCTION IN PART OR WHOLE WITHOUT PRIOR WRITTEN APPROVAL OR AUTHORIZATION OF Y-S ELECTRONIC IS STRICTLY PROHIBITED.

RoHS COMPLIANT

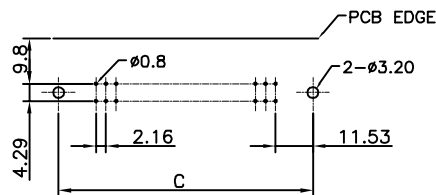
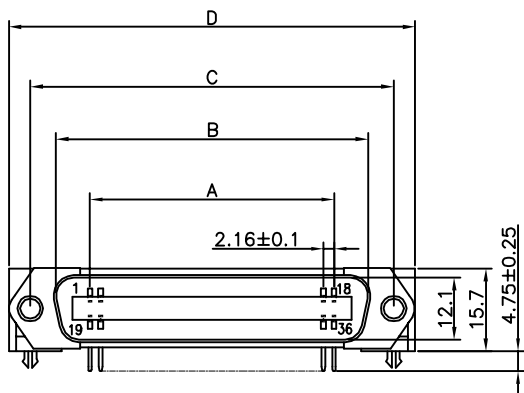
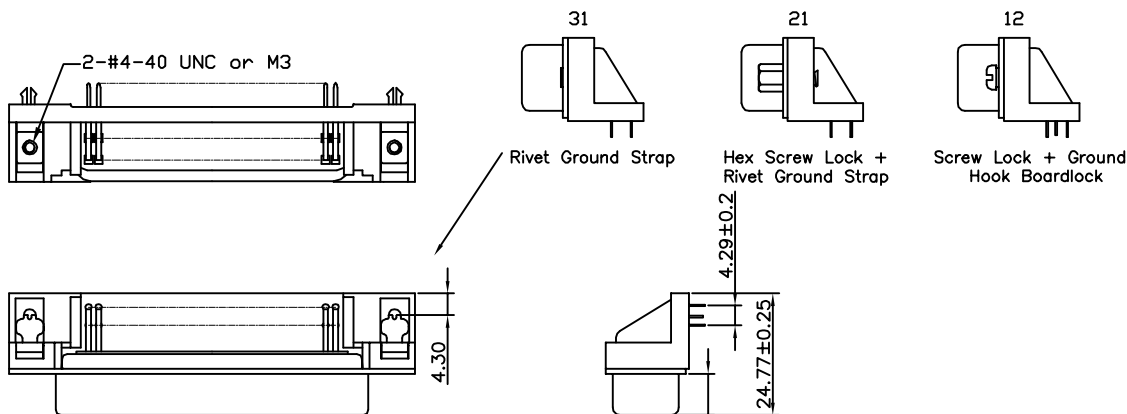
REVISIONS				
REV	ECN NO.	DESCRIPTION	APPROVED BY	DATE

Material & Finish  
 SHELL: Steel  
 PIN CONTACT:  
 Phosphor Bronze/ Gold plated  
 INSULATOR:  
 PBT & Glass-fibre reinforced  
 UL-94-V0  
 CURRENT RATING: 1 Amp  
 DIELECTRIC STRENGTH:  
 AC 1000V Min.(for one minute)  
 INSULATOR RESISTANCE:  
 1000M $\Omega$  Min. (at 500V DC)  
 CONTACT RESISTANCE  
 25m Max. mated  
 TEMPERATURE:  
 -55°C to +105°C

Ordering Information

142 -  $\frac{XX}{a} \frac{X}{b} \frac{X}{c} \frac{X}{d} \frac{X}{e} \frac{X}{f}$

- d. No. of Contacts  
14, 24, 36, 50
- b. Contact Type  
1: Male  
2: Female
- c. Contact Plating  
1: Selective Gold  
2: 15u'  
3: 30u'
- d. Insulator Color  
1: Blue  
2: Black
- e. Special Function  
1: #4-40 Pan Screw (Standard)  
2: #4-40 Hex Screw (4.75 x 11.8)  
3: #4-40 Square Rivet Insert  
4: M3 Rivet Insert
- f. Special Function  
1: Ground strap(Both With #4-40 UNC Thread)  
2: Ground Hook(Front #4-40 UNC Thread)



P.C.B. LAYOUT

CENTRONIC P.C.B. RIGHT ANGLE MALE RIVET TYPE & GROUND HOOK

Dimensions

Positions	A	B	C	D
14	12.96	25.6	36.0	43.9
24	23.76	36.3	46.8	54.7
36	36.72	49.3	59.6	67.7
50	51.84	64.4	74.9	82.8

DIMENSIONS: <input type="checkbox"/> MM [INCH] <input type="checkbox"/> INCH [mm] <input checked="" type="checkbox"/> MM ONLY	CAD GENERATED DRAWING, DO NOT MANUALLY UPDATE
UNLESS OTHERWISE SPECIFIED, GENERAL TOLERANCE: DECIMALS X: ±0.38 [0.015] .X: ±0.25 [0.010] .XX: ±0.13 [0.005]	CHECKED BY AND DATE JUSTIN XING 07-03-06
MATERIAL	APPROVED BY AND DATE MICHAEL HUANG 07-03-06
FINISH	THIRD ANGLE PROJECTION
	SCALE: 1:1
	SIZE: A3



**Y-S ELECTRONIC CO., LTD.**  
 No. 101, Sec. 1, Long-An Street,  
 Lu-Chu, Taoyuan, Taiwan, R.O.C.  
 TEL: +886-3-3609819 FAX: +886-3-3609817

TITLE 142 SERIES CENTRONIC CONNECTORS RIGHT ANGLE TYPE	
DRAWING NO. 142-XXXXXXX	REV A
FILE NO.	SHEET 1 OF 2

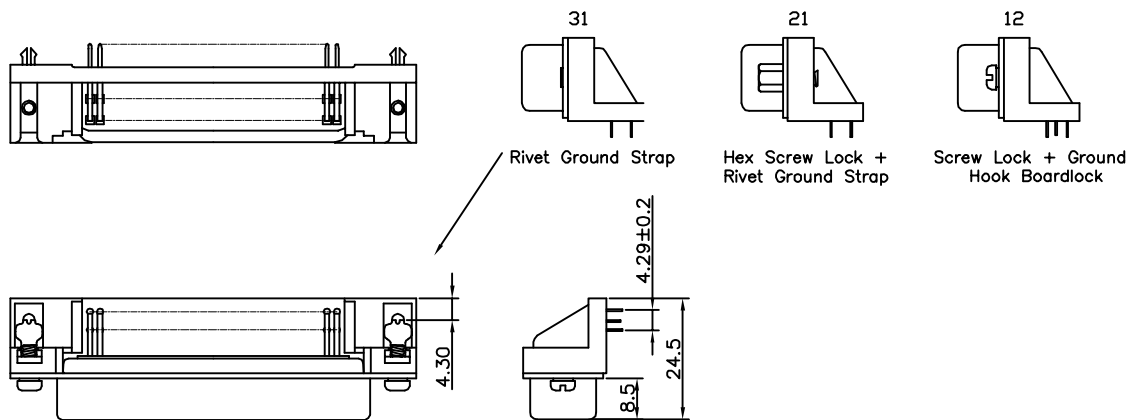
DO NOT SCALE DRAWING

THE INFORMATION CONTAINED IN THIS DOCUMENT IS PROPRIETARY TO Y-S ELECTRONIC. ANY REPRODUCTION IN PART OR WHOLE WITHOUT PRIOR WRITTEN APPROVAL OR AUTHORIZATION OF Y-S ELECTRONIC IS STRICTLY PROHIBITED.

RoHS COMPLIANT

REVISIONS				
REV	ECN NO.	DESCRIPTION	APPROVED BY	DATE

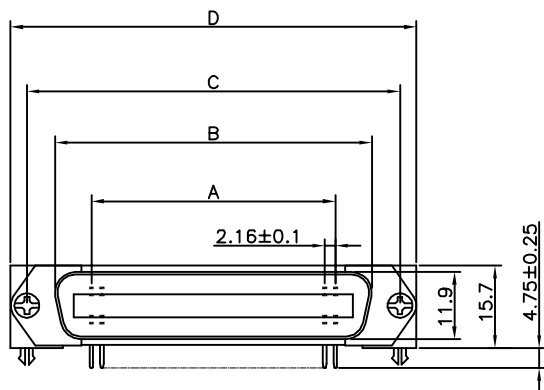
Material & Finish  
 SHELL: Steel  
 PIN CONTACT:  
 Phosphor Bronze/ Gold plated  
 INSULATOR:  
 PBT & Glass-fibre reinforced  
 UL-94-V0  
 CURRENT RATING: 1 Amp  
 DIELECTRIC STRENGTH:  
 AC 1000V Min.(for one minute)  
 INSULATOR RESISTANCE:  
 1000M $\Omega$  Min. (at 500V DC)  
 CONTACT RESISTANCE  
 25m Max. mated  
 TEMPERATURE:  
 -55°C to +105°C



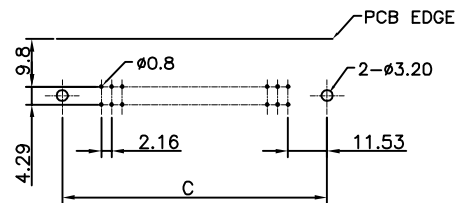
Ordering Information

142 -  $\frac{XX}{a}$   $\frac{X}{b}$   $\frac{X}{c}$   $\frac{X}{d}$   $\frac{X}{e}$   $\frac{X}{f}$

- a. No. of Contacts  
14, 24, 36, 50
- b. Contact Type  
1: Male  
2: Female
- c. Contact Plating  
1: Selective Gold  
2: 15u'  
3: 30u'
- d. Insulator Color  
1: Blue  
2: Black
- e. Special Function  
1: #4-40 Pan Screw (Standard)  
2: #4-40 Hex Screw (4.75 x 11.8)  
3: #4-40 Square Rivet Insert  
4: M3 Rivet Insert
- f. Special Function  
1: Ground strap(Both With #4-40 UNC Thread)  
2: Ground Hook(Front #4-40 UNC Thread)



57 CENTRONIC P.C.B. RIGHT ANGLE FEMALE  
GROUND HOOK SCREW LOCK



P.C.B. LAYOUT

Dimensions

Positions	A	B	C	D
14	12.96	25.6	36.0	43.9
24	23.76	36.3	46.8	54.7
36	36.72	49.3	59.6	67.7
50	51.84	64.4	74.9	82.8

DIMENSIONS: <input type="checkbox"/> MM [INCH] <input type="checkbox"/> INCH [mm] <input checked="" type="checkbox"/> MM ONLY	CAD GENERATED DRAWING, DO NOT MANUALLY UPDATE	Y-S ELECTRONIC CO., LTD. No. 101, Sec. 1, Long-An Street, Lu-Chu, Taoyuan, Taiwan, R.O.C. TEL: +886-3-3609819 FAX: +886-3-3609817	
	UNLESS OTHERWISE SPECIFIED, GENERAL TOLERANCE: DECIMALS      ANGLES X: ±0.38 [0.015]      X°: ±3° .X: ±0.25 [0.010]      .X°: ±10° .XX: ±0.13 [0.005]		DRAWN BY AND DATE JUSTIN XING 07-03-06
MATERIAL	CHECKED BY AND DATE JUSTIN XING 07-03-06	APPROVED BY AND DATE MICHAEL HUANG 07-03-06	142 SERIES 57 CENTRONIC CONNECTORS RIGHT ANGLE TYPE
FINISH	THIRD ANGLE PROJECTION 		DRAWING NO.      REV 142-XXXXXXX      A
SCALE: 1:1	SIZE: A3	FILE NO.:	SHEET 2 OF 2

DO NOT SCALE DRAWING