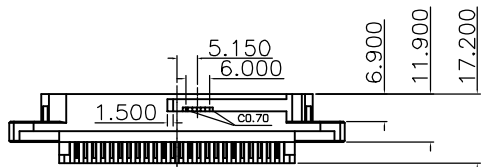
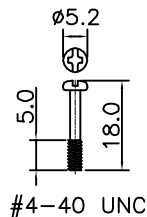
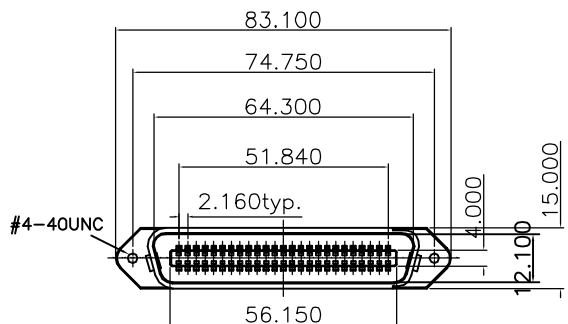


THE INFORMATION CONTAINED IN THIS DOCUMENT IS PROPRIETARY TO Y-S ELECTRONIC, ANY REPRODUCTION IN PART OR WHOLE WITHOUT PRIOR WRITTEN APPROVAL OR AUTHORIZATION OF Y-S ELECTRONIC IS STRICTLY PROHIBITED.

RoHS COMPLIANT

REVISIONS				
REV	ECN NO.	DESCRIPTION	APPROVED BY	DATE

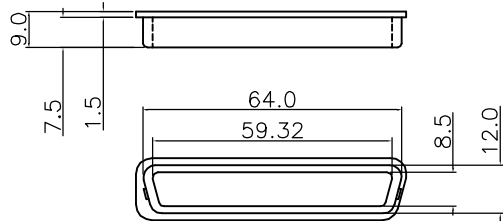
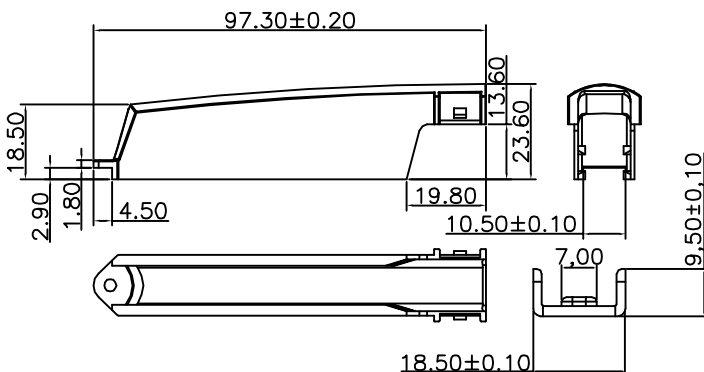
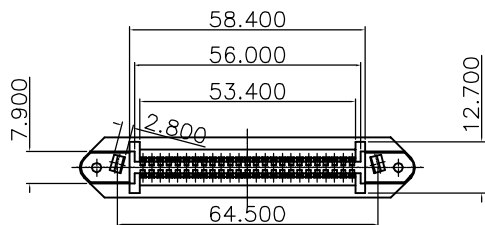
Material & finish  
 SHELL:  
 ABS BLACK  
 INSULATOR  
 PBT+30% GF  
 PIN CONTACT:  
 BRASS GOLD FLASH  
 COVER: PVC  
 CURRENT RATING:  
 5 Amp  
 DIELECTRIC STRENGTH:  
 1000V for one minute  
 INSULATOR RESISTANCE:  
 1000M WMin. (at 500V DC)  
 TEMPERATURE:  
 -55°C to +105°C



Ordering Information

139a -  $\frac{XX}{a} \frac{X}{b} \frac{X}{c} \frac{X}{d} \frac{X}{e} \frac{X}{f} \frac{X}{g}$

- a. No. Of Pins  
50: 50 positions
- b. Contact Type  
1: P:Plug  
2: S:Socket
- c. Insulator Color  
G: Gray
- d. Contact Plating  
a: 10u"  
e: 15u"  
f: 30u"
- e. Shell  
0: Without cover, only connector  
a: Right Angle Plastic Cover  
b: Straight Plastic Cover
- f. Screw  
0: Without screw  
a: 16mm screw  
b: 14mm screw
- g. Accessory  
0: None  
a: Dust Cover (Plug: Blue)  
b: Dust Cover (Socket: Red)



CENTRONIC SOLDER TYPE MALE 50PIN  
 RIGHT ANGLE COVER ALL PLASITC

DO NOT SCALE DRAWING

DIMENSIONS: <input type="checkbox"/> MM [INCH] <input type="checkbox"/> INCH [MM] <input checked="" type="checkbox"/> MM ONLY	CAD GENERATED DRAWING, DO NOT MANUALLY UPDATE	<b>Y-S ELECTRONIC CO., LTD.</b> No. 101, Sec. 1, Long-An Street, Lu-Chu, Taoyuan, Taiwan, R.O.C. TEL: +886-3-3609819 FAX: +886-3-3609817	
	UNLESS OTHERWISE SPECIFIED, GENERAL TOLERANCE: DECIMALS      ANGLES X: ±0.38 [0.015]    X° ±3° .X ±0.25 [0.010]    .X° ±1.0° .XX ±0.13 [0.005]		DRAWN BY AND DATE JUSTIN XING 07-03-06
MATERIAL FINISH	CHECKED BY AND DATE JUSTIN XING 07-03-06 APPROVED BY AND DATE MICHAEL HUANG 07-03-06 THIRD ANGLE PROJECTION 	DRAWING NO. <b>139a-50121</b>	REV <b>A</b>
SCALE: 1 : 1	SIZE: A3	FILE NO.:	SHEET 1 OF 1

THE INFORMATION CONTAINED IN THIS DOCUMENT IS PROPRIETARY TO Y-S ELECTRONIC. ANY REPRODUCTION IN PART OR WHOLE WITHOUT PRIOR WRITTEN APPROVAL OR AUTHORIZATION OF Y-S ELECTRONIC IS STRICTLY PROHIBITED.

RoHS COMPLIANT

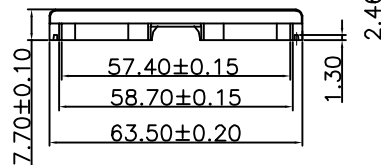
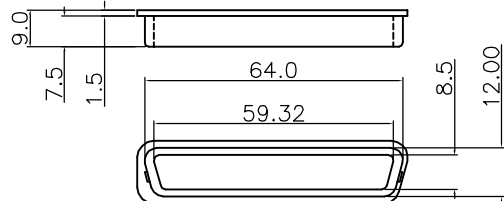
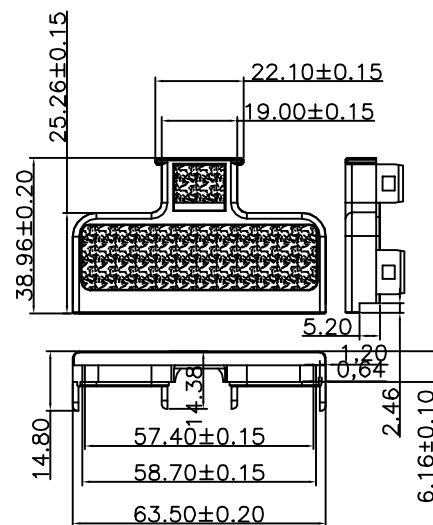
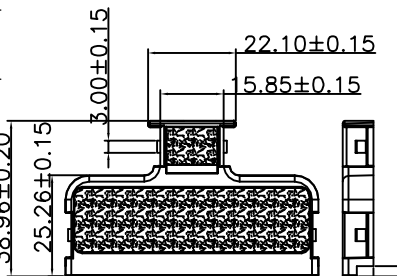
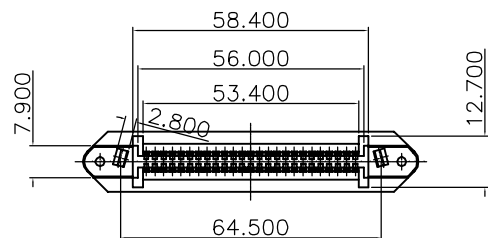
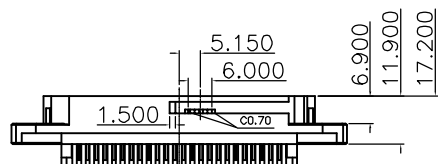
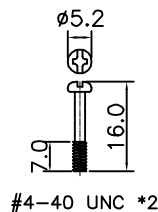
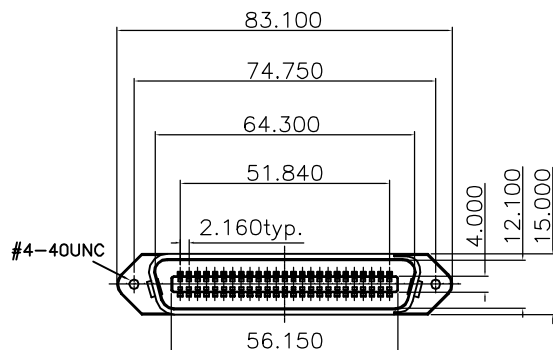
REVISIONS				
REV	ECN NO.	DESCRIPTION	APPROVED BY	DATE

Material & finish  
 SHELL:  
 ABS BLACK  
 INSULATOR  
 PBT+30% GF  
 PIN CONTACT:  
 BRASS GOLD FLASH  
 COVER: PVC  
 CURRENT RATING:  
 5 Amp  
 DIELECTRIC STRENGTH:  
 1000V for one minute  
 INSULATOR RESISTANCE:  
 1000M WMin. (at 500V DC)  
 TEMPERATURE:  
 -55°C to +105°C

Ordering Information

139a -  $\frac{XX}{a} \frac{X}{b} \frac{X}{c} \frac{X}{d} \frac{X}{e} \frac{X}{f} \frac{X}{g}$

- a. No. Of Pins  
50: 50 positions
- b. Contact Type  
1: P: Plug  
2: S: Socket
- c. Insulator Color  
G: Gray
- d. Contact Plating  
a: 10u"  
e: 15u"  
f: 30u"
- e. Shell  
0: Without cover, only connector  
a: Right Angle Plastic Cover  
b: Straight Plastic Cover
- f. Screw  
0: Without screw  
a: 16mm screw  
b: 14mm screw
- g. Accessory  
0: None  
a: Dust Cover (Plug: Blue)  
b: Dust Cover (Socket: Red)



CENTRONIC SOLDER TYPE MALE 50PIN  
 STRAIGHT COVER ALL PLASITC

DO NOT SCALE DRAWING

DIMENSIONS: <input type="checkbox"/> MM [INCH] <input type="checkbox"/> INCH [mm] <input checked="" type="checkbox"/> MM ONLY	CAD GENERATED DRAWING, DO NOT MANUALLY UPDATE DRAWN BY AND DATE JUSTIN XING 07-03-06
UNLESS OTHERWISE SPECIFIED, GENERAL TOLERANCE: DECIMALS X: ±0.38 [0.015] X: ±0.25 [0.010] XX ±0.13 [0.005] ANGLES X° ±3° X° ±10°	CHECKED BY AND DATE JUSTIN XING 07-03-06 APPROVED BY AND DATE MICHAEL HUANG 07-03-06 THIRD ANGLE PROJECTION
MATERIAL	
FINISH	SCALE: 1:1 SIZE: A3

**Y-S ELECTRONIC CO., LTD.**  
 No. 101, Sec. 1, Long-An Street,  
 Lu-Chu, Taoyuan, Taiwan, R.O.C.  
 TEL: +886-3-3609819 FAX: +886-3-3609817

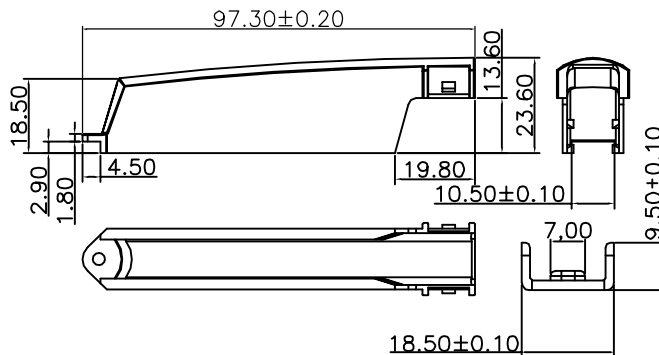
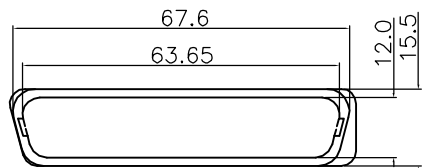
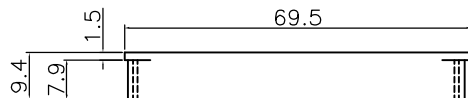
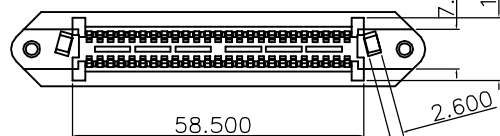
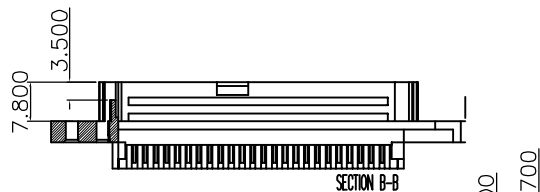
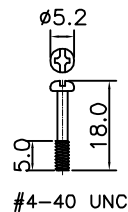
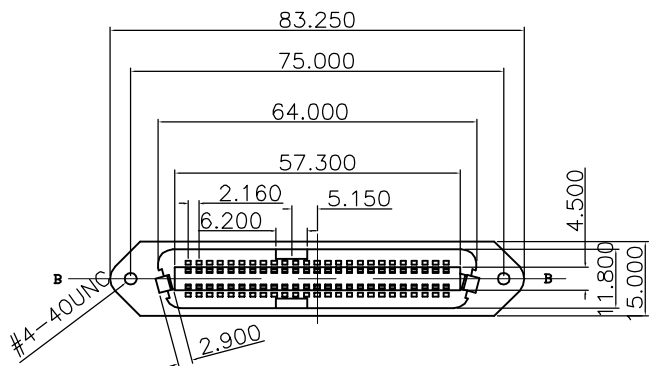
TITLE 139a SERIES CENTRONIC CONNECTOR 50PIN SOLDER ALL PLASTIC TYPE(Telco)
DRAWING NO. 139a-50122
REV A
FILE NO. SHEET 1 OF 1

THE INFORMATION CONTAINED IN THIS DOCUMENT IS PROPRIETARY TO Y-S ELECTRONIC, ANY REPRODUCTION IN PART OR WHOLE WITHOUT PRIOR WRITTEN APPROVAL OR AUTHORIZATION OF Y-S ELECTRONIC IS STRICTLY PROHIBITED.

RoHS COMPLIANT

REVISIONS				
REV	ECN NO.	DESCRIPTION	APPROVED BY	DATE

Material & finish  
 SHELL:  
 ABS BLACK  
 INSULATOR  
 PBT+30% GF  
 PIN CONTACT:  
 BRASS GOLD FLASH  
 COVER: PVC  
 CURRENT RATING:  
 5 Amp  
 DIELECTRIC STRENGTH:  
 1000V for one minute  
 INSULATOR RESISTANCE:  
 1000M WMin. (at 500V DC)  
 TEMPERATURE:  
 -55°C to +105°C



Ordering Information

139a -  $\frac{XX}{a} \frac{X}{b} \frac{X}{c} \frac{X}{d} \frac{X}{e} \frac{X}{f} \frac{X}{g}$

- a. No. Of Pins  
50: 50 positions
- b. Contact Type  
1: P: Plug  
2: S: Socket
- c. Insulator Color  
G: Gray
- d. Contact Plating  
a: 10u"  
e: 15u"  
f: 30u"
- e. Shell  
0: Without cover, only connector  
a: Right Angle Plastic Cover  
b: Straight Plastic Cover
- f. Screw  
0: Without screw  
a: 16mm screw  
b: 14mm screw
- g. Accessory  
0: None  
a: Dust Cover (Plug: Blue)  
b: Dust Cover (Socket: Red)

DO NOT SCALE DRAWING

CENTRONIC SOLDER TYPE FEMALE 50PIN  
 RIGHT ANGLE COVER ALL PLASITC

DIMENSIONS: <input type="checkbox"/> MM [INCH] <input type="checkbox"/> INCH [MM] <input checked="" type="checkbox"/> MM ONLY	CAD GENERATED DRAWING, DO NOT MANUALLY UPDATE
UNLESS OTHERWISE SPECIFIED, GENERAL TOLERANCE: DECIMALS X: ±0.38 [0.015] .X: ±0.25 [0.010] .XX: ±0.13 [0.005]	CHECKED BY AND DATE JUSTIN XING 07-03-06
MATERIAL	APPROVED BY AND DATE MICHAEL HUANG 07-03-06
FINISH	THIRD ANGLE PROJECTION
SCALE: 1:1	SIZE: A3



**Y-S ELECTRONIC CO., LTD.**  
 No. 101, Sec. 1, Long-An Street,  
 Lu-Chu, Taoyuan, Taiwan, R.O.C.  
 TEL: +886-3-3609819 FAX: +886-3-3609817

TITLE  
 139a SERIES  
 CENTRONIC CONNECTOR 50PIN  
 SOLDER ALL PLASTIC TYPE(Telco)

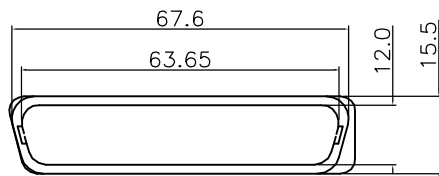
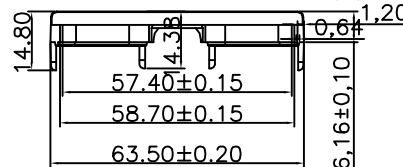
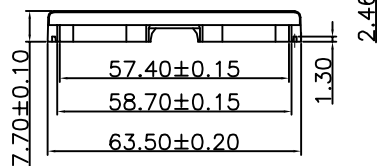
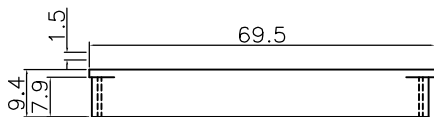
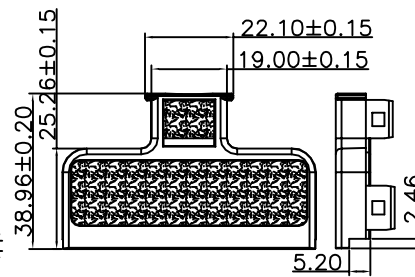
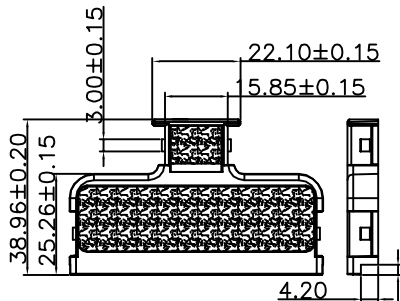
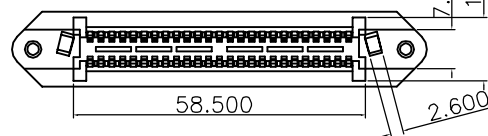
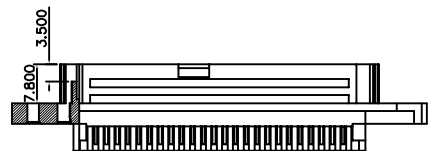
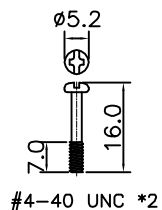
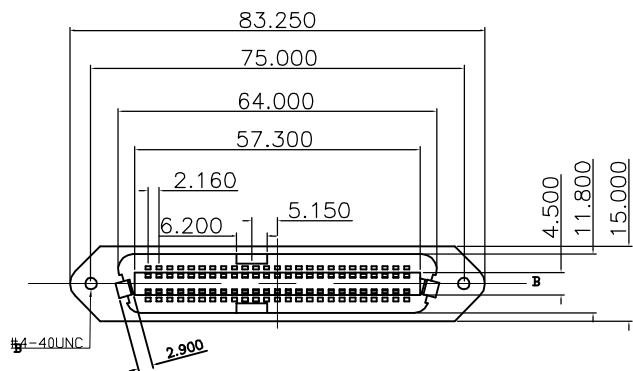
DRAWING NO. <b>139a-50221</b>	REV A
FILE NO.	SHEET 1 OF 1

THE INFORMATION CONTAINED IN THIS DOCUMENT IS PROPRIETARY TO Y-S ELECTRONIC, ANY REPRODUCTION IN PART OR WHOLE WITHOUT PRIOR WRITTEN APPROVAL OR AUTHORIZATION OF Y-S ELECTRONIC IS STRICTLY PROHIBITED.

RoHS COMPLIANT

REVISIONS				
REV	ECN NO.	DESCRIPTION	APPROVED BY	DATE

Material & finish  
 SHELL:  
 ABS BLACK  
 INSULATOR  
 PBT+30% GF  
 PIN CONTACT:  
 BRASS GOLD FLASH  
 COVER: PVC  
 CURRENT RATING:  
 5 Amp  
 DIELECTRIC STRENGTH:  
 1000V for one minute  
 INSULATOR RESISTANCE:  
 1000M WMin. (at 500V DC)  
 TEMPERATURE:  
 -55°C to +105°C



Ordering Information

139a -  $\frac{XX}{a} \frac{X}{b} \frac{X}{c} \frac{X}{d} \frac{X}{e} \frac{X}{f} \frac{X}{g}$

- a. No. Of Pins  
50: 50 positions
- b. Contact Type  
1: P: Plug  
2: S: Socket
- c. Insulator Color  
G: Gray
- d. Contact Plating  
a: 10u"  
e: 15u"  
f: 30u"
- e. Shell  
0: Without cover, only connector  
a: Right Angle Plastic Cover  
b: Straight Plastic Cover
- f. Screw  
0: Without screw  
a: 16mm screw  
b: 14mm screw
- g. Accessory  
0: None  
a: Dust Cover (Plug: Blue)  
b: Dust Cover (Socket: Red)

DO NOT SCALE DRAWING

CENTRONIC SOLDER TYPE FEMALE 50PIN  
 STRAIGHT COVER ALL PLASITC

DIMENSIONS: <input type="checkbox"/> MM [INCH] <input type="checkbox"/> INCH [mm] <input checked="" type="checkbox"/> MM ONLY	CAD GENERATED DRAWING, DO NOT MANUALLY UPDATE DRAWN BY AND DATE JUSTIN XING 07-03-06	
UNLESS OTHERWISE SPECIFIED, GENERAL TOLERANCE: DECIMALS X: ±0.38 [0.015] .X: ±0.25 [0.010] .XX: ±0.13 [0.005] ANGLES X°: ±3° .X°: ±1.0°	CHECKED BY AND DATE JUSTIN XING 07-03-06 APPROVED BY AND DATE MICHAEL HUANG 07-03-06	
MATERIAL	SCALE: 1:1	SIZE: A3
FINISH	FILE NO.:	SHEET 1 OF 1



**Y-S ELECTRONIC CO., LTD.**  
 No. 101, Sec. 1, Long-An Street,  
 Lu-Chu, Taoyuan, Taiwan, R.O.C.  
 TEL: +886-3-3609819 FAX: +886-3-3609817

TITLE  
 139a SERIES  
 CENTRONIC CONNECTOR 50PIN  
 SOLDER ALL PLASTIC TYPE(Telco)

DRAWING NO. <b>139a-50222</b>	REV A
FILE NO.:	SHEET 1 OF 1