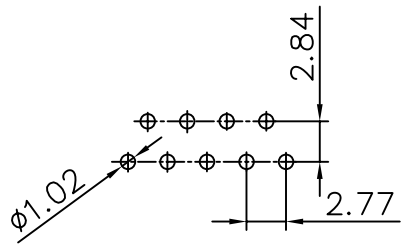
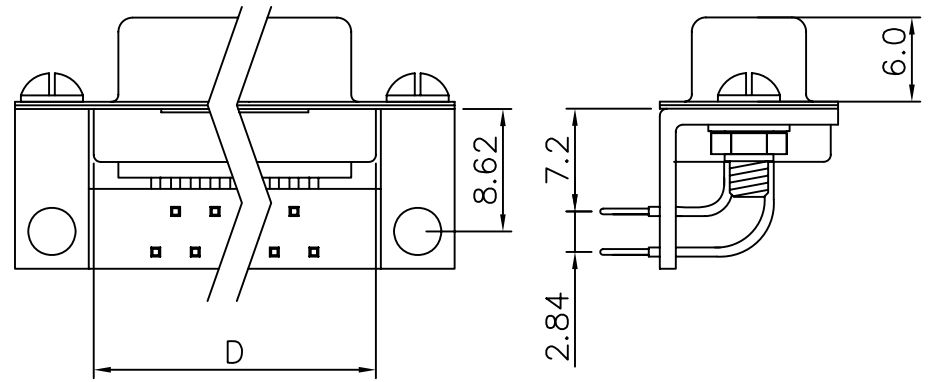
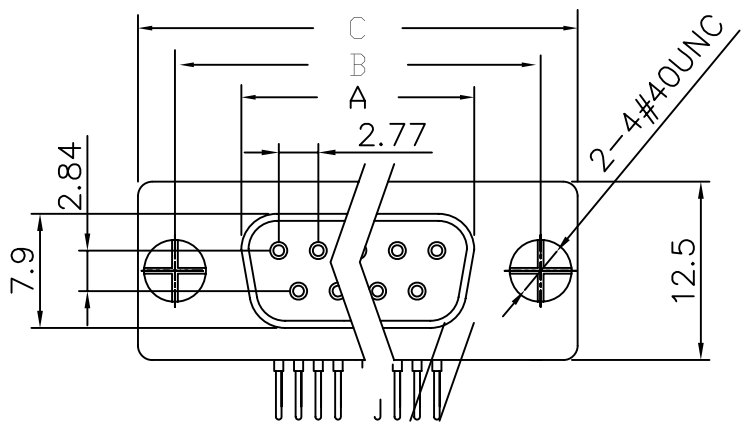


THE INFORMATION CONTAINED IN THIS DOCUMENT IS PROPRIETARY TO Y-S ELECTRONIC, ANY REPRODUCTION IN PART OR WHOLE WITHOUT PRIOR WRITTEN APPROVAL OR AUTHORIZATION OF Y-S ELECTRONIC IS STRICTLY PROHIBITED.

RoHS COMPLIANT

REV.	DESCRIPTION	ECN NO.	DWN.	CHK.	APVD.	DATE
A			Xie	Long	Zhou	2015.07.23



P. C. B LATOUT

Product Specification

Material

- Insulator : Glass-Filled Thermoplastic PBT BLACK, UL94V-0
- Contact : Copper alloy
- Shell : Steel, 100u" Tin Over 50u" min Copper
- HEX NUT : Copper alloy, Nickel Plated.
- L TYPE : Steel, Nickel Plated.
- Screwlock : Steel, Nickel Plated.

Electrical

- Contact Resistance : 20 milliohms
Max at 1 AMP DC.
- Insulation Resistance : 1000
magohms at 500 VDC
- Dielectric Withstanding Voltage :
1000 VAC/rms 60Hz for 1 minute
- Current Rating : 5 AMP
- Volatge Rating : 250 VAC/rms 60Hz

TABLE 1

NO. OF Contoct	A	B	C	D
09	16.35	24.99	30.61	19.2
15	24.70	33.32	39.14	27.7
25	38.40	47.04	53.04	41.1
37	54.80	63.50	69.32	57.3

DO NOT SCALE DRAWING

DIMENSIONS: <input type="checkbox"/> mm [INCH] <input type="checkbox"/> INCH [mm] <input checked="" type="checkbox"/> mm ONLY		CAD GENERATED DRAWING, DO NOT MANUALLY UPDATE DRAWN BY AND DATE Xie 2015-07-23				
UNLESS OTHERWISE SPECIFIED, GENERAL TOLERANCE: DECIMALS ANGLES .X ±0.38 [0.015] X° ±3° .XX ±0.30 .X° ±1.0° .XX ±0.20		CHECKED BY AND DATE Long 2015-07-23 APPROVED BY AND DATE Zhou 2015-07-23 THIRD ANGLE PROJECTION			TITLE. 107 SERIES D-SUB, RIGHT ANGLE TYPE	
MATERIAL:				DRAWING NO. 107-XX2X2X1A501		REV A
FINISH:		SCALE: 1 : 1	SIZE: A3	FILE NO.:		SHEET 1 OF 1