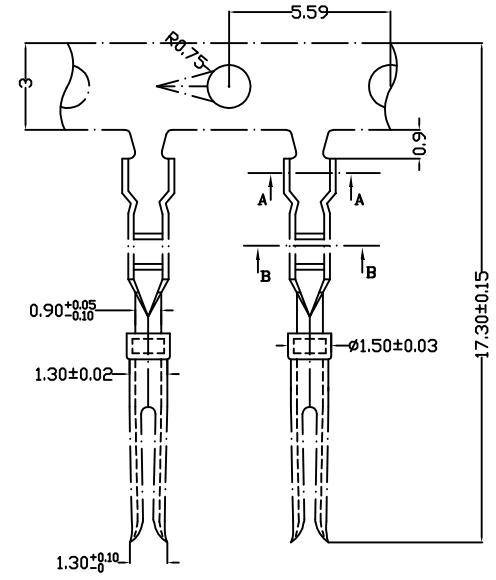
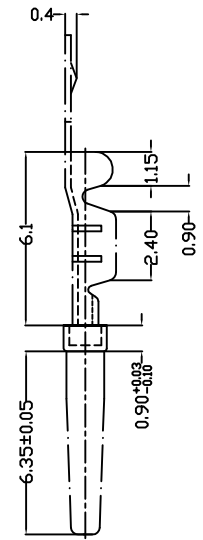
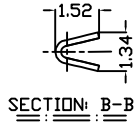
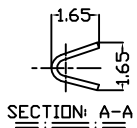
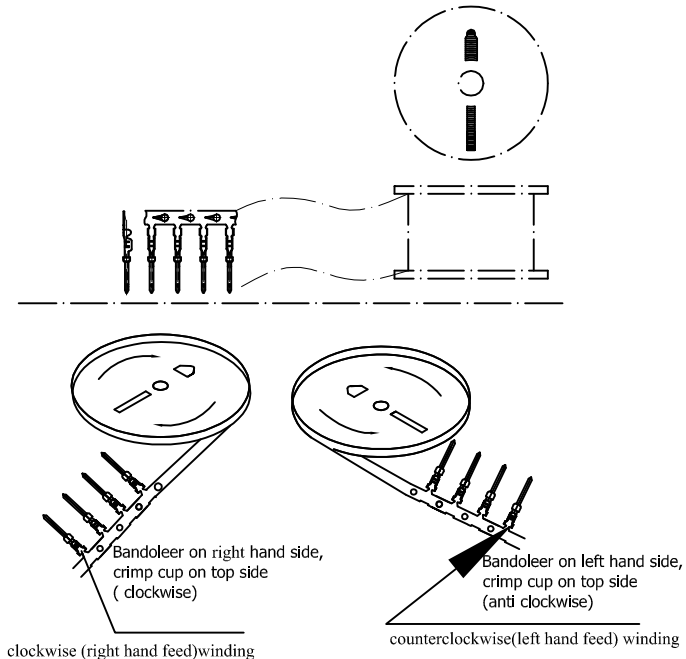


THE INFORMATION CONTAINED IN THIS DOCUMENT IS PROPRIETARY TO Y-S ELECTRONIC, ANY REPRODUCTION IN PART OR WHOLE WITHOUT PRIOR WRITTEN APPROVAL OR AUTHORIZATION OF Y-S ELECTRONIC IS STRICTLY PROHIBITED.

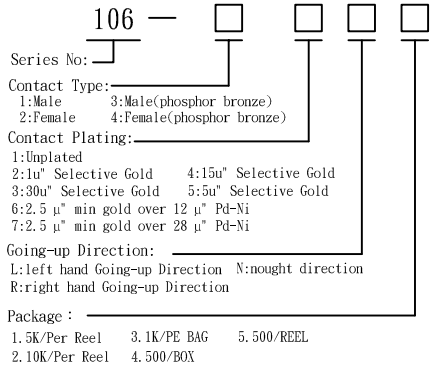
RoHS COMPLIANT

電鍍後收料示意圖



106 SERIES CRIMP TERMINAL

Ordering Information



NOTES:

- 1.1.MATERIAL: Phosphor bronze,T=0.20mm Pitch=5.59mm
- 2.PLATING: XXu" Au over 50u" Nickel min on cantact area 80u" Tin over 50u" Nickel on solder tail

REV.	DESCRIPTION	ECN NO.	DWN.	CHK.	APVD.	DATE
A				TIAN		2011-10-14

DIMENSIONS: <input type="checkbox"/> MM [INCH] <input type="checkbox"/> INCH [MM] <input checked="" type="checkbox"/> MM ONLY		CAD GENERATED DRAWING, DO NOT MANUALLY UPDATE DRAWN BY AND DATE TIAN 2011-10-14		Y-S ELECTRONIC CO., LTD. No. 101, Sec. 1, Long-An Street, Lu-Chu, Taoyuan, Taiwan, R.O.C. TEL: +886-3-3609819 FAX: +886-3-3609817	
UNLESS OTHERWISE SPECIFIED, GENERAL TOLERANCE: DECIMALS .X ±0.15 [0.006] .XX ±0.08 [0.003] .XXX ±0.03 [0.001] ANGLES X° ±3° .X° ±1.0°		CHECKED BY AND DATE JACK CHEN 2011-10-14 APPROVED BY AND DATE FRANKY CHEN 2011-10-14		TITLE TERMINAL:CRIMP OD:0.76MM Female<left hand feed>	
MATERIAL: FINISH:		THIRD ANGLE PROJECTION 		DRAWING NO. 106-4XXX	
		SCALE: 1:1 SIZE: A4		REV A	
				FILE NO.: SHEET 1 OF 2	

DO NOT SCALE DRAWING