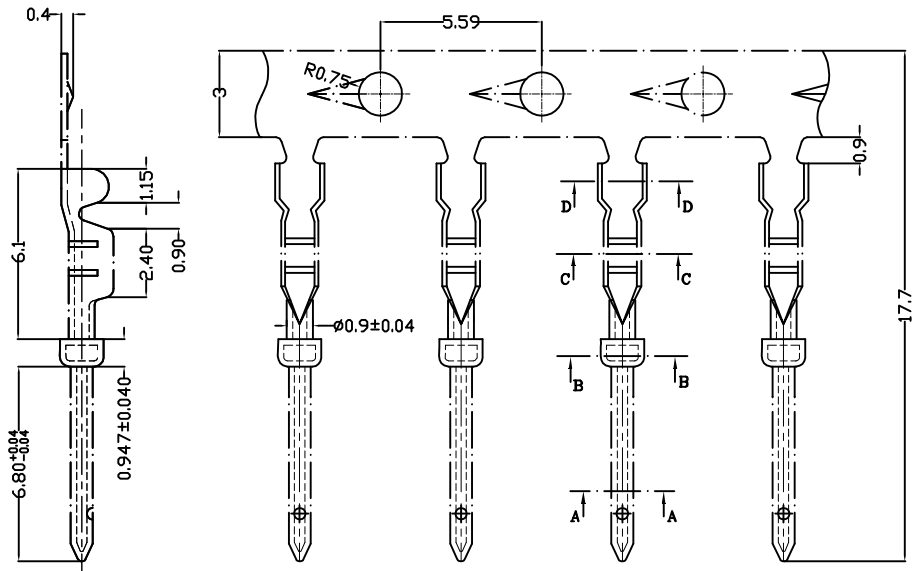
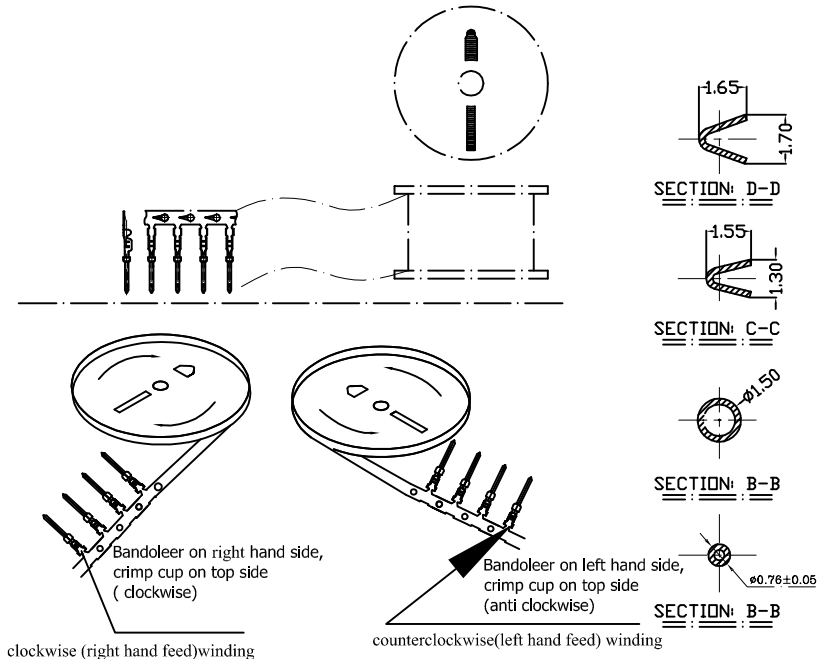


THE INFORMATION CONTAINED IN THIS DOCUMENT IS PROPRIETARY TO Y-S ELECTRONIC, ANY REPRODUCTION IN PART OR WHOLE WITHOUT PRIOR WRITTEN APPROVAL OR AUTHORIZATION OF Y-S ELECTRONIC IS STRICTLY PROHIBITED.

RoHS COMPLIANT

REV.	DESCRIPTION	ECN NO.	DWN.	CHK.	APVD.	DATE
A				TIAN		2011-10-14

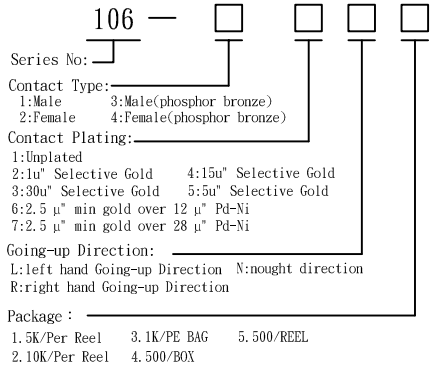
電鍍後收料示意圖



clockwise (right hand feed)winding
counterclockwise(left hand feed) winding

106 SERIES CRIMP TERMINAL

Ordering Information



NOTES:

- 1.MATERIAL: Brass,T=0.20mm Pitch=5.59mm
- 2.PLATING:
XXu" Au over 50u" Nickel min on cantact area
80u" Tin over 50u" Nickel on solder tail

DO NOT SCALE DRAWING

DIMENSIONS: <input type="checkbox"/> mm [INCH] <input type="checkbox"/> INCH [mm] <input checked="" type="checkbox"/> mm ONLY	CAD GENERATED DRAWING, DO NOT MANUALLY UPDATE DRAWN BY AND DATE TIAN 2012-02-17	Y-S ELECTRONIC CO., LTD. No. 101, Sec. 1, Long-An Street, Lu-Chu, Taoyuan, Taiwan, R.O.C. TEL: +886-3-3609819 FAX: +886-3-3609817
	UNLESS OTHERWISE SPECIFIED, GENERAL TOLERANCE: DECIMALS .X ±0.15 [0.006] .XX ±0.08 [0.003] .XXX ±0.03 [0.001] ANGLES X° ±3° .X° ±1.0°	
MATERIAL:	THIRD ANGLE PROJECTION	TITLE
FINISH:	SCALE: 1:1 SIZE: A4	TERMINAL:CRIMP OD:0.76MM Male<left hand feed>
		DRAWING NO. 106-1XXX
		REV B
		FILE NO. SHEET 1 OF 2